

Short form

ENCLOSED SWITCHES

SWITCH DISCONNECTORS



krausnaimer.ie

For free expert advice call our sales team

Φ Kraus & Naimer

+353 61 704700

SF05/FEB20



Short form

'Quality, range & service'

The Shortform Catalogue contains both our most popular
enclosed switches (pages 4-30)

and our best selling panel mounted
switch disconnecter range (pages 31-47)

**Kraus & Naimer's Blue Line products are accepted and
universally recognised for their quality and workmanship.**


Kraus & Naimer Limited is part of the worldwide
Kraus & Naimer Group which celebrated its 110 year anniversary in 2017.

In 1963, Kraus & Naimer Limited was established as the UK and Ireland sales and marketing company for Kraus & Naimer switchgear. By the early 70's successful growth meant a move to its current purpose-built premises in Newbury, from which it supplies over 3,000 customers with world-renowned, high quality Blue Line switchgear products.

Our key to success is the outstanding level of technical product support through our dedicated team of internal and external technical sales engineers. With many years experience, training and unbeatable product knowledge the team can find a solution for your switch applications.

Enclosed Products

Enclosed Isolators

| | | |
|---|-------------------------|-------|
| Main & Main/Emergency-Off Switch | | |
| Insulated enclosure | | 4-5 |
| Painted steel enclosure | | 6-7 |
| Red painted steel enclosure | | 8-9 |
| Stainless steel enclosure | | 10-11 |
| Sloping Roof stainless steel | | 12-13 |
| Flush mounted stainless steel | | 14-15 |
| GRP enclosure | | 14-15 |
| GRP All-in-One | | 16 |
| Insulated enclosure, EMC compliant connection | | 17 |
| AC Switch-Disconnectors | | |
| Single & three phase | 25 - 40A | 18 |
| DC Switch-Disconnectors | | |
| Single string & two string | 11 - 50A up to 1000 VDC | 19 |
| Changeover Switch with Centre Off | | |
| Insulated, painted mild steel & stainless steel enclosure | | 20-21 |
| GRP enclosure | | 22-23 |
| Load Switch, painted mild steel | | 22-23 |
| Main/Emergency-Off Switch + Emergency Stop Push Button | | |
| Insulated enclosure/painted steel enclosure/Stainless steel enclosure | | 24 |
| Changeover Switch with Centre Off | | |
|  Mains-Off Generator switch with appliance inlet, painted mild steel | | 25 |

Control Stations

| | | |
|--|--|----|
| Emergency Stop Push Button Station | | |
| Stainless steel enclosure | twist to reset, key operate to reset | 26 |
| Painted steel enclosure | twist to reset, key operate to reset | |
| Stainless steel, flush mount | twist to reset, key operate to reset | |
| Insulated enclosure | twist to reset, pull to reset palm/foot switch | |
| Emergency Stop Push Button Station with protective shroud | | |
| Stainless steel enclosure | twist to reset, key operate to reset | 27 |
| Painted steel enclosure | twist to reset, key operate to reset | |
| Stainless steel, flush mount | twist to reset, key operate to reset | |
| Insulated enclosure | twist to reset, pull to reset palm/foot switch | |
| Fire Alarm Isolator | | |
| Insulated enclosure - double pole 10A | | 27 |
| Rotary Control Switch | | |
| Insulated enclosure off/on & changeover switches | | 28 |
| Key Operated Control Switch | | |
| Insulated enclosure off/on, changeover & step switches | | 28 |

Load Switches

| | | |
|--|-----------|----|
| Emergency-Off Switch | | |
| Insulated enclosure 3 & 4 pole | 25A & 32A | 28 |
| Motor Reversing Switch | | |
| Insulated enclosure 3 phase/1 phase motors | | 28 |

Technical Data & Additional Information

| | | |
|---------------------------------------|--|----|
| Options & Additional Information | | |
| Technical Data | | 29 |
| IP rating information | | 30 |

Switch-disconnectors
[open switches \(pages 31 - 47\)](#)

OFF-ON / SWITCH DISCONNECTORS



Main/Emergency-Off Switch 20A - 315A

3, 4, 6 & 8 POLE



IP RATING IP66/67 protection

ENCLOSURE insulated polycarbonate grey (RAL7035)

HANDLE OPTION red & yellow padlockable handle
optional black handle available

EARTH TERMINAL included

SAFETY FEATURE switch is interlocked with the lid to prevent opening in 'ON' position

| Without Auxiliaries | le AC-21A | 3 Pole | Encl. Ref | | 3 Pole + Solid Neutral (TP&N) | Encl. Ref | | |
|---------------------|-----------------------|-------------------------|-----------|-----------------------|-------------------------------|-----------|--|--|
| | 20A | KG10 T203/GBA270 *KS1V | KSAV | | KG10 T203/GBA355 *KS1V | KSAV | | |
| | 25A | KG20 T203/GBA270 *KS1V | KSAV | | KG20 T203/GBA355 *KS1V | KSAV | | |
| | 32A | KG32 T203/GBA270 *KS1V | KSAV | | KG32 T203/GBA355 *KS1V | KSAV | | |
| | 40A | KG41 T203/GBA270 *KL1V | KLCV | | KG41 T203/GBA355 *KL1V | KLCV | | |
| | 63A | KG64 T203/GBA270 *KL1V | KLCV | | KG64 T203/GBA355 *KL1V | KLCV | | |
| | 80A | KG80 T203/GBA270 *KL1V | KLDV | | KG80 T203/GBA355 *KL1V | KLDV | | |
| | 100A | KG100 T203/GBA270 *KL1V | KLDV | | KG100 T203/GBA355 *KL1V | KLDV | | |
| | 125A | KG105 T203/GBA270 *KL1V | KLDV | | KG105 T203/GBA355 *KL1V | KLDV | | |
| | 125A ³⁾ | KG125 T203/GBA270 *ST | ST3 | | KG125 T207/GBA355 *ST | ST3 | | |
| 160A | KG160 T203/GBA270 *ST | ST3 | | KG160 T207/GBA355 *ST | ST3 | | | |
| 200A | KG210 T203/GBA270 *ST | ST3 | | KG210 T207/GBA355 *ST | ST4 | | | |
| 250A | KG250 T203/GBA270 *ST | ST3 | | KG250 T207/GBA355 *ST | ST4 | | | |
| 315A | KG315 T203/GBA270 *ST | ST3 | | KG315 T207/GBA355 *ST | ST4 | | | |

| With Auxiliaries ¹ | le AC-21A | 3 Pole + Aux | Encl. Ref | | 3 Pole + Solid Neutral (TP&N) + Aux | Encl. Ref | | |
|-------------------------------|-----------------------|-------------------------|-----------|-----------------------|-------------------------------------|-----------|--|--|
| | 20A | KG10 T203/GBA281 *KS1V | KSAV | | KG10 T203/GBA374 *KS1V | KSAV | | |
| | 25A | KG20 T203/GBA280 *KS1V | KSAV | | KG20 T203/GBA373 *KS1V | KSAV | | |
| | 32A | KG32 T203/GBA280 *KS1V | KSAV | | KG32 T203/GBA373 *KS1V | KSAV | | |
| | 40A | KG41 T203/GBA280 *KL1V | KLCV | | KG41 T203/GBA373 *KL1V | KLCV | | |
| | 63A | KG64 T203/GBA280 *KL1V | KLCV | | KG64 T203/GBA373 *KL1V | KLCV | | |
| | 80A | KG80 T203/GBA280 *KL1V | KLDV | | KG80 T203/GBA373 *KL1V | KLDV | | |
| | 100A | KG100 T203/GBA280 *KL1V | KLDV | | KG100 T203/GBA373 *KL1V | KLDV | | |
| | 125A | KG105 T203/GBA280 *KL1V | KLDV | | KG105 T203/GBA373 *KL1V | KLDV | | |
| | 125A ³⁾ | KG125 T203/GBA065 *ST | ST3 | | KG125 T207/GBA110 *ST | ST3 | | |
| 160A | KG160 T203/GBA065 *ST | ST3 | | KG160 T207/GBA110 *ST | ST3 | | | |
| 200A | KG210 T203/GBA070 *ST | ST3 | | KG210 T207/GBA120 *ST | ST4 | | | |
| 250A | KG250 T203/GBA070 *ST | ST3 | | KG250 T207/GBA120 *ST | ST4 | | | |
| 315A | KG315 T203/GBA070 *ST | ST3 | | KG315 T207/GBA120 *ST | ST4 | | | |

Notes

1) The following auxiliary contacts are provided:-

- KG10 3 to 6 pole 1 N.O. (early break) + 1 N.C.
- KG20 to KG105 3 to 6 pole 2 N.O. (early break)
- KG10 to KG100 8 pole 1 N.O. (early break) + 1 N.C.
- KG125 to KG315 3 to 8 pole 2 N.O. (early break) + 2 N.C.

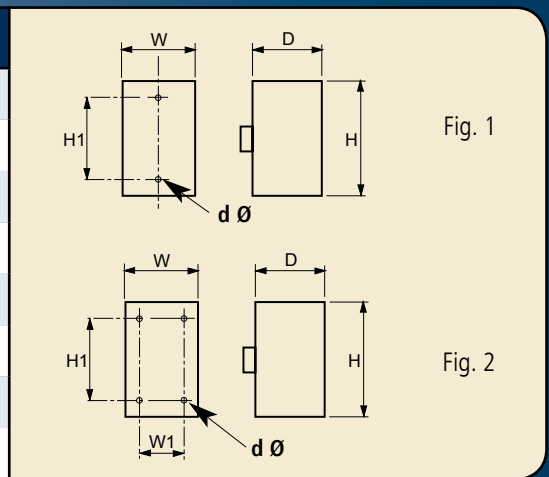
2) Switched neutral pole is early make/late break.

3) KG125 suitable for applications requiring larger cable termination and increased enclosure size than a KG105.



DIMENSIONS (units = mm throughout the catalogue unless stated otherwise)

| Encl. Ref. | Encl. Dim. | | | Encl. Dim. | | | Cable Entries. | Line Drg. |
|------------|------------|-----|-----|------------|-----|-----|--------------------|-----------|
| | H | W | D | H1 | W1 | d | | |
| KSAV | 120 | 85 | 90 | 110 | - | 4.2 | 4 x 20/25mm k'outs | Fig. 1 |
| KLCV | 190 | 100 | 93 | 178 | - | 5.6 | 4 x 20/25mm k'outs | Fig. 1 |
| KLD | 250 | 145 | 107 | 229 | 124 | 6.5 | 4 x 25/40mm k'outs | Fig. 2 |
| KLDV | 250 | 145 | 107 | 229 | 124 | 6.5 | 4 x 25/40mm k'outs | Fig. 2 |
| STE | 280 | 190 | 180 | 254 | 164 | 7 | 2 x gland plates | Fig. 2 |
| ST2 | 280 | 190 | 130 | 254 | 164 | 7 | 2 x gland plates | Fig. 2 |
| ST3 | 380 | 280 | 180 | 354 | 254 | 7 | 2 x gland plates | Fig. 2 |
| ST4 | 560 | 380 | 180 | 534 | 354 | 7 | 2 x gland plates | Fig. 2 |



Please refer to Encl. Ref column in tables below for enclosure reference

| | 4 Pole (3ph + Sw N ²) | Encl. Ref | | 6 Pole | Encl. Ref | | le AC-21A |
|--|-----------------------------------|-----------|--|-------------------------|-----------|--|--------------------|
| | KG10 T204/GBA290 *KS1V | KSAV | | KG10B T206/GBA320 *KS1V | KSAV | | 20A |
| | KG20 T204/GBA290 *KS1V | KSAV | | KG20B T206/GBA320 *KL1V | KLCV | | 25A |
| | KG32 T204/GBA290 *KS1V | KSAV | | KG32B T206/GBA320 *KL1V | KLCV | | 32A |
| | KG41 T204/GBA290 *KL1V | KLCV | | KG41B T206/GBA320 *KL1V | KLDV | | 40A |
| | KG64 T204/GBA290 *KL1V | KLCV | | KG64B T206/GBA320 *KL1V | KLDV | | 63A |
| | KG80 T204/GBA290 *KL1V | KLDV | | KG80 T206/GBA967 *ST | STE | | 80A |
| | KG100 T204/GBA290 *KL1V | KLDV | | KG100 T206/GBA967 *ST | STE | | 100A |
| | KG105 T204/GBA290 *KL1V | KLDV | | KG105 T206/GBA967 *ST | STE | | 125A |
| | KG125 T204/GBA290 *ST | ST3 | | KG125 T206/GBA967 *ST | ST4 | | 125A ³⁾ |
| | KG160 T204/GBA290 *ST | ST3 | | KG160 T206/GBA967 *ST | ST4 | | 160A |
| | KG210 T204/GBA290 *ST | ST4 | | | | | 200A |
| | KG250 T204/GBA290 *ST | ST4 | | | | | 250A |
| | KG315 T204/GBA290 *ST | ST4 | | | | | 315A |

<<back to index>>

Without Auxiliaries



GENEROUS WIRING SPACE

| | 4 Pole (3ph + Sw N ²) + Aux | Encl. Ref | | 6 Pole + Aux | Encl. Ref | | 8 Pole (2x3ph + Sw N ²) + Aux | Encl. Ref | | le AC-21A |
|--|---|-----------|--|-------------------------|-----------|--|---|-----------|--|--------------------|
| | KG10 T204/GBA311 *KS1V | KSAV | | KG10 T206/40 *KS51V | KSAV | | KG10 T208/GBA002 *KS1V | KSAV | | 20A |
| | KG20 T204/GBA310 *KS1V | KSAV | | KG20B T206/GBA330 *KL1V | KLCV | | KG20B T208/GBA008 *KL | KLD | | 25A |
| | KG32 T204/GBA310 *KS1V | KSAV | | KG32B T206/GBA330 *KL1V | KLCV | | KG32B T208/GBA008 *KL | KLD | | 32A |
| | KG41 T204/GBA310 *KL1V | KLCV | | KG41B T206/GBA330 *KL1V | KLDV | | KG41B T208/GBA008 *ST | ST2 | | 40A |
| | KG64 T204/GBA310 *KL1V | KLCV | | KG64B T206/GBA330 *KL1V | KLDV | | KG64B T208/GBA008 *ST | ST2 | | 63A |
| | KG80 T204/GBA310 *KL1V | KLDV | | KG80 T206/GBA907 *ST | STE | | KG80 T208/GBA008 *ST | ST3 | | 80A |
| | KG100 T204/GBA310 *KL1V | KLDV | | KG100 T206/GBA907 *ST | STE | | KG100 T208/GBA008 *ST | ST3 | | 100A |
| | KG105 T204/GBA310 *KL1V | KLDV | | KG105 T206/GBA907 *ST | STE | | | | | 125A |
| | KG125 T204/GBA075 *ST | ST3 | | KG125 T206/GBA085 *ST | ST4 | | KG125 T208/GBA010 *ST | ST4 | | 125A ³⁾ |
| | KG160 T204/GBA075 *ST | ST3 | | KG160 T206/GBA085 *ST | ST4 | | KG160 T208/GBA010 *ST | ST4 | | 160A |
| | KG210 T204/GBA080 *ST | ST4 | | | | | | | | 200A |
| | KG250 T204/GBA080 *ST | ST4 | | | | | | | | 250A |
| | KG315 T204/GBA080 *ST | ST4 | | | | | | | | 315A |

With Auxiliaries ¹

OFF-ON / SWITCH DISCONNECTORS



Main/Emergency-Off Switch 20A - 315A

3, 4, 6, 9 & 12 POLE



IP RATING IP66 protection

ENCLOSURE grey paint finish (RAL7032)

HANDLE OPTION red & yellow padlockable handle
optional black handle available

EARTH TERMINAL included + lid bonding link

SAFETY FEATURE switch is interlocked with the lid to prevent opening in 'ON' position

| Without Auxiliaries | le AC-21A | 3 Pole | | 3 Pole + Solid Neutral (TP&N) | | 4 Pole (3ph + Sw N ²) | |
|---------------------|------------------------|------------------------|------------------------|-------------------------------|------------------------|-----------------------------------|--|
| | 20A | KG10 T203/GBA119 *MB2 | | | | KG10 T204/GBA219 *MB2 | |
| | 25A | KG20 T203/GBA119 *MB2 | | KG20 T207/GBA170 *MB2 | | KG20 T204/GBA219 *MB2 | |
| | 32A | KG32 T203/GBA119 *MB2 | | KG32 T207/GBA170 *MB2 | | KG32 T204/GBA219 *MB2 | |
| | 40A | KG41 T203/GBA109 *MB2 | | KG41 T207/GBA170 *MB2 | | KG41 T204/GBA209 *MB2 | |
| | 63A | KG64 T203/GBA109 *MB2 | | KG64 T207/GBA170 *MB2 | | KG64 T204/GBA209 *MB2 | |
| | 80A | KG80 T203/GBA109 *MB3 | | KG80 T207/GBA170 *MB3 | | KG80 T204/GBA209 *MB3 | |
| | 100A | KG100 T203/GBA109 *MB3 | | KG100 T207/GBA170 *MB3 | | KG100 T204/GBA209 *MB3 | |
| | 125A | KG105 T203/GBA109 *MB3 | | KG105 T207/GBA170 *MB3 | | KG105 T204/GBA209 *MB3 | |
| | 125A ³ | KG125 T203/GBA109 *MB8 | | KG125 T207/GBA170 *MB8 | | KG125 T204/GBA209 *MB8 | |
| 160A | KG160 T203/GBA109 *MB8 | | KG160 T207/GBA170 *MB8 | | KG160 T204/GBA209 *MB8 | | |
| 200A | KG210 T203/GBA109 *MB9 | | KG210 T207/GBA170 *MB9 | | KG210 T204/GBA209 *MB9 | | |
| 250A | KG250 T203/GBA109 *MB9 | | KG250 T207/GBA170 *MB9 | | KG250 T204/GBA209 *MB9 | | |
| 275A | | | | | | | |
| 315A | KG315 T203/GBA109 *MB9 | | KG315 T207/GBA170 *MB9 | | KG315 T204/GBA209 *MB9 | | |

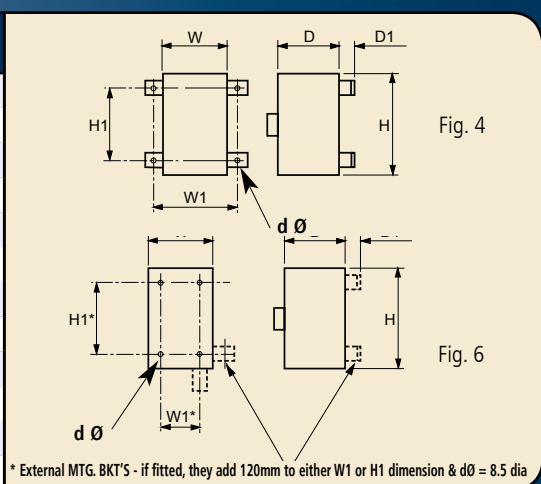
| With Auxiliaries ¹ | le AC-21A | 3 Pole + Aux | | 3 Pole + Solid Neutral (TP&N)+Aux | | 4 Pole (3ph + Sw N ²) + Aux | |
|-------------------------------|------------------------|------------------------|------------------------|-----------------------------------|------------------------|---|--|
| | 20A | KG10 T203/GBA168 *MB2 | | | | KG10 T204/GBA268 *MB2 | |
| | 25A | KG20 T203/GBA169 *MB2 | | KG20 T207/GBA175 *MB2 | | KG20 T204/GBA269 *MB2 | |
| | 32A | KG32 T203/GBA169 *MB2 | | KG32 T207/GBA175 *MB2 | | KG32 T204/GBA269 *MB2 | |
| | 40A | KG41 T203/GBA159 *MB2 | | KG41 T207/GBA175 *MB2 | | KG41 T204/GBA259 *MB2 | |
| | 63A | KG64 T203/GBA159 *MB2 | | KG64 T207/GBA175 *MB2 | | KG64 T204/GBA259 *MB2 | |
| | 80A | KG80 T203/GBA159 *MB3 | | KG80 T207/GBA175 *MB3 | | KG80 T204/GBA259 *MB3 | |
| | 100A | KG100 T203/GBA159 *MB3 | | KG100 T207/GBA175 *MB3 | | KG100 T204/GBA259 *MB3 | |
| | 125A | KG105 T203/GBA159 *MB3 | | KG105 T207/GBA175 *MB3 | | KG105 T204/GBA259 *MB3 | |
| | 125A ³ | KG125 T203/GBA165 *MB8 | | KG125 T207/GBA180 *MB8 | | KG125 T204/GBA265 *MB8 | |
| 160A | KG160 T203/GBA165 *MB8 | | KG160 T207/GBA180 *MB8 | | KG160 T204/GBA265 *MB8 | | |
| 200A | KG210 T203/GBA175 *MB9 | | KG210 T207/GBA185 *MB9 | | KG210 T204/GBA275 *MB9 | | |
| 250A | KG250 T203/GBA175 *MB9 | | KG250 T207/GBA185 *MB9 | | KG250 T204/GBA275 *MB9 | | |
| 275A | | | | | | | |
| 315A | KG315 T203/GBA175 *MB9 | | KG315 T207/GBA185 *MB9 | | KG315 T204/GBA275 *MB9 | | |

Main Switches 250A - 1250A 3 & 4 POLE (IP65 with black & red padlockable handle)

| With Auxiliaries ¹ | le AC-21A | 3 Pole + Aux | | 3 Pole + Neutral Link + Aux | | 4 Pole + Aux | |
|-------------------------------|-----------|-------------------------|--|-----------------------------|--|-------------------------|--|
| | 250A | UK250/A 3011ST02 *MB25 | | UK250/A 3111ST02 *MB25 | | UK250/A 4011ST02 *MB25 | |
| | 315A | UK315/A 3011ST02 *MB26 | | UK315/A 3111ST02 *MB26 | | UK315/A 4011ST02 *MB26 | |
| | 400A | UK400/A 3011ST02 *MB26 | | UK400/A 3111ST02 *MB26 | | UK400/A 4011ST02 *MB26 | |
| | 630A | UK630/A 3011ST02 *MB27 | | UK630/A 3111ST02 *MB27 | | UK630/A 4011ST02 *MB27 | |
| | 800A | UK800/A 3011ST02 *MB28 | | UK800/A 3111ST02 *MB28 | | UK800/A 4011ST02 *MB28 | |
| | 1000A | UK1000/A 3011ST02 *MB28 | | UK1000/A 3111ST02 *MB28 | | UK1000/A 4011ST02 *MB28 | |
| | 1250A | UK1250/A 3011ST02 *MB28 | | UK1250/A 3111ST02 *MB28 | | UK1250/A 4011ST02 *MB28 | |



| Encl. Ref. | Encl. Dim. | | | | Encl. Dim. | | | Cable Entries. | Line Drg. |
|------------|------------|-----|-----|----|------------|-----|-----|------------------|-----------|
| | H | W | D | D1 | H1 | W1 | d | | |
| MB2 | 194 | 119 | 115 | 8 | 133 | 137 | 6 | - | Fig. 4 |
| MB3 | 254 | 149 | 125 | 8 | 193 | 167 | 6 | - | Fig. 4 |
| MB4 | 309 | 234 | 150 | 8 | 248 | 252 | 6 | - | Fig. 4 |
| MB8 | 400 | 300 | 175 | - | 340 | 240 | 6.5 | 2 x gland plates | Fig. 6 |
| MB9 | 500 | 400 | 175 | - | 440 | 340 | 6.5 | 2 x gland plates | Fig. 6 |
| MB10 | 500 | 400 | 300 | - | 440 | 340 | 6.5 | 2 x gland plates | Fig. 6 |
| MB20 | 250 | 175 | 175 | - | 225 | 195 | 6 | - | Fig. 4 |
| MB25 | 650 | 450 | 225 | - | 590 | 390 | 6.5 | 2 x gland plates | Fig. 6 |
| MB26 | 800 | 550 | 225 | - | 740 | 490 | 6.5 | 2 x gland plates | Fig. 6 |
| MB27 | 900 | 600 | 300 | - | 840 | 540 | 6.5 | 2 x gland plates | Fig. 6 |
| MB28 | 1000 | 800 | 400 | - | 940 | 740 | 6.5 | 4 x gland plates | Fig. 6 |
| MB29 | 750 | 450 | 300 | - | 690 | 390 | 6.5 | 2 x gland plates | Fig. 6 |



Please refer to end of part no. for enclosure reference. See tables below:

| | 6 Pole | 9 Pole | 12 Pole | le AC-21A | Without Auxiliaries |
|--|--------------------------|----------------------|-----------------------|--------------------|----------------------------|
| | | UK 20/9000ST01 *MB20 | UK 20/12000ST01 *MB20 | 20A | |
| | KG20B T206/GBA309 *MB2 | UK 25/9000ST01 *MB20 | UK 25/12000ST01 *MB20 | 25A | |
| | KG32B T206/GBA309 *MB2 | UK 32/9000ST01 *MB20 | UK 32/12000ST01 *MB20 | 32A | |
| | KG41B T206/GBA309 *MB3 | | | 40A | |
| | KG64B T206/GBA309 *MB3 | | | 63A | |
| | KG80 T206/GBA309 *MB4 | | | 80A | |
| | KG100 T206/GBA309 *MB4 | | | 100A | |
| | KG105 T206/GBA309 *MB4 | | | 125A | |
| | KG125 T206/GBA309 *MB9 | | | 125A ³⁾ | |
| | KG160 T206/GBA309 *MB9 | | | 160A | |
| | C200-4 T206/GBA309 *MB10 | | | 200A | |
| | | | | 250A | |
| | C316 T206/GBA309 *MB10 | | | 275A | |
| | C316 T206/GBA309 *MB29 | | | 315A | |

[<<back to index>>](#)

| | 6 Pole + Aux | 9 Pole + Aux | 12 Pole + Aux | le AC-21A | With Auxiliaries 1 |
|--|--------------------------|----------------------|-----------------------|--------------------|---------------------------|
| | | UK 20/9020ST01 *MB20 | UK 20/12020ST01 *MB20 | 20A | |
| | KG20B T206/GBA359 *MB2 | UK 25/9020ST01 *MB20 | UK 25/12020ST01 *MB20 | 25A | |
| | KG32B T206/GBA359 *MB2 | UK 32/9020ST01 *MB20 | UK 32/12020ST01 *MB20 | 32A | |
| | KG41B T206/GBA359 *MB3 | | | 40A | |
| | KG64B T206/GBA359 *MB3 | | | 63A | |
| | KG80 T206/GBA359 *MB4 | | | 80A | |
| | KG100 T206/GBA359 *MB4 | | | 100A | |
| | KG105 T206/GBA359 *MB4 | | | 125A | |
| | KG125 T206/GBA365 *MB9 | | | 125A ³⁾ | |
| | KG160 T206/GBA365 *MB9 | | | 160A | |
| | C200-4 T206/GBA385 *MB10 | | | 200A | |
| | | | | 250A | |
| | C316 T206/GBA006 *MB10 | | | 275A | |
| | C316 T206/GBA365 *MB29 | | | 315A | |

Notes

- The following auxiliary contacts are provided:-
 - KG10 1 N.O. (early break) + 1 N.C.
 - KG20 to KG105 2 N.O. (early break)
 - KG125 to KG315 2 N.O. (early break) + 2 N.C.
 - UK20 to UK32 2 N.O. (early break)
 - C316/C200-4 2 N.O. (early break)
 - UK250/A to UK1250/A 1 N.O. (early break) + 1 N.C.

2) Switched neutral pole is early make/late break.

3) KG125 suitable for applications requiring larger cable termination and increased enclosure size than KG105.

GET SEEN

see next page for **RED**

enclosures - also available in **BLACK**

OFF-ON / SWITCH DISCONNECTORS



Main/Emergency-Off Switch 20A - 315A

3, 4, 6, 9 & 12 POLE



- IP RATING** IP66 protection
- ENCLOSURE** red paint finish (RAL3000)
- HANDLE OPTION** red & yellow padlockable handle
optional black handle available
- EARTH TERMINAL** included + lid bonding link
- SAFETY FEATURE** switch is interlocked with the lid to prevent opening in 'ON' position

| Without Auxiliaries | le AC-21A | 3 Pole | | 3 Pole + Solid Neutral (TP&N) | | 4 Pole (3ph + Sw N ²) | |
|---------------------|--------------------|------------------|------------------|-------------------------------|------------------|-----------------------------------|------------------|
| | 20A | KG10 | T203/GBA119 *RB2 | | | KG10 | T204/GBA219 *RB2 |
| | 25A | KG20 | T203/GBA119 *RB2 | KG20 | T207/GBA170 *RB2 | KG20 | T204/GBA219 *RB2 |
| | 32A | KG32 | T203/GBA119 *RB2 | KG32 | T207/GBA170 *RB2 | KG32 | T204/GBA219 *RB2 |
| | 40A | KG41 | T203/GBA109 *RB2 | KG41 | T207/GBA170 *RB2 | KG41 | T204/GBA209 *RB2 |
| | 63A | KG64 | T203/GBA109 *RB2 | KG64 | T207/GBA170 *RB2 | KG64 | T204/GBA209 *RB2 |
| | 80A | KG80 | T203/GBA109 *RB3 | KG80 | T207/GBA170 *RB3 | KG80 | T204/GBA209 *RB3 |
| | 100A | KG100 | T203/GBA109 *RB3 | KG100 | T207/GBA170 *RB3 | KG100 | T204/GBA209 *RB3 |
| | 125A | KG105 | T203/GBA109 *RB3 | KG105 | T207/GBA170 *RB3 | KG105 | T204/GBA209 *RB3 |
| | 125A ³⁾ | KG125 | T203/GBA109 *RB8 | KG125 | T207/GBA170 *RB8 | KG125 | T204/GBA209 *RB8 |
| 160A | KG160 | T203/GBA109 *RB8 | KG160 | T207/GBA170 *RB8 | KG160 | T204/GBA209 *RB8 | |
| 200A | KG210 | T203/GBA109 *RB9 | KG210 | T207/GBA170 *RB9 | KG210 | T204/GBA209 *RB9 | |
| 250A | KG250 | T203/GBA109 *RB9 | KG250 | T207/GBA170 *RB9 | KG250 | T204/GBA209 *RB9 | |
| 275A | | | | | | | |
| 315A | KG315 | T203/GBA109 *RB9 | KG315 | T207/GBA170 *RB9 | KG315 | T204/GBA209 *RB9 | |

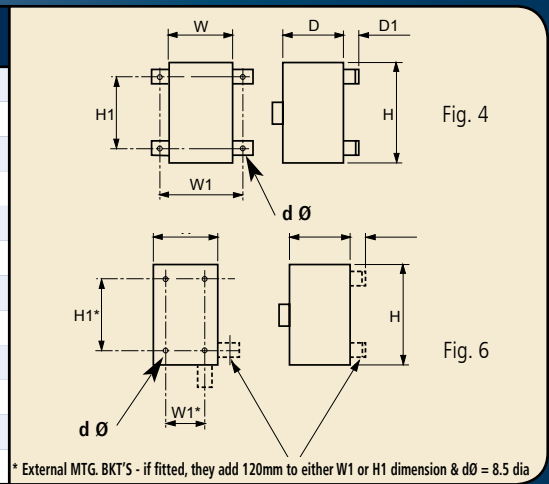
| With Auxiliaries ¹ | le AC-21A | 3 Pole + Aux | | 3 Pole + Solid Neutral (TP&N)+Aux | | 4 Pole (3ph + Sw N ²) + Aux | |
|-------------------------------|--------------------|------------------|------------------|-----------------------------------|------------------|---|------------------|
| | 20A | KG10 | T203/GBA168 *RB2 | | | KG10 | T204/GBA268 *RB2 |
| | 25A | KG20 | T203/GBA169 *RB2 | KG20 | T207/GBA175 *RB2 | KG20 | T204/GBA269 *RB2 |
| | 32A | KG32 | T203/GBA169 *RB2 | KG32 | T207/GBA175 *RB2 | KG32 | T204/GBA269 *RB2 |
| | 40A | KG41 | T203/GBA159 *RB2 | KG41 | T207/GBA175 *RB2 | KG41 | T204/GBA259 *RB2 |
| | 63A | KG64 | T203/GBA159 *RB2 | KG64 | T207/GBA175 *RB2 | KG64 | T204/GBA259 *RB2 |
| | 80A | KG80 | T203/GBA159 *RB3 | KG80 | T207/GBA175 *RB3 | KG80 | T204/GBA259 *RB3 |
| | 100A | KG100 | T203/GBA159 *RB3 | KG100 | T207/GBA175 *RB3 | KG100 | T204/GBA259 *RB3 |
| | 125A | KG105 | T203/GBA159 *RB3 | KG105 | T207/GBA175 *RB3 | KG105 | T204/GBA259 *RB3 |
| | 125A ³⁾ | KG125 | T203/GBA165 *RB8 | KG125 | T207/GBA180 *RB8 | KG125 | T204/GBA265 *RB8 |
| 160A | KG160 | T203/GBA165 *RB8 | KG160 | T207/GBA180 *RB8 | KG160 | T204/GBA265 *RB8 | |
| 200A | KG210 | T203/GBA175 *RB9 | KG210 | T207/GBA185 *RB9 | KG210 | T204/GBA275 *RB9 | |
| 250A | KG250 | T203/GBA175 *RB9 | KG250 | T207/GBA185 *RB9 | KG250 | T204/GBA275 *RB9 | |
| 275A | | | | | | | |
| 315A | KG315 | T203/GBA175 *RB9 | KG315 | T207/GBA185 *RB9 | KG315 | T204/GBA275 *RB9 | |

Main Switches 250A - 1250A 3 & 4 POLE (IP65 with black & red padlockable handle)

| With Auxiliaries ¹ | le AC-21A | 3 Pole + Aux | | 3 Pole + Neutral Link + Aux | | 4 Pole + Aux | |
|-------------------------------|-----------|----------------|----------------|-----------------------------|----------------|----------------|----------------|
| | 250A | UK250/A | 3011ST02 *RB25 | UK250/A | 3111ST02 *RB25 | UK250/A | 4011ST02 *RB25 |
| | 315A | UK315/A | 3011ST02 *RB26 | UK315/A | 3111ST02 *RB26 | UK315/A | 4011ST02 *RB26 |
| | 400A | UK400/A | 3011ST02 *RB26 | UK400/A | 3111ST02 *RB26 | UK400/A | 4011ST02 *RB26 |
| | 630A | UK630/A | 3011ST02 *RB27 | UK630/A | 3111ST02 *RB27 | UK630/A | 4011ST02 *RB27 |
| | 800A | UK800/A | 3011ST02 *RB28 | UK800/A | 3111ST02 *RB28 | UK800/A | 4011ST02 *RB28 |
| | 1000A | UK1000/A | 3011ST02 *RB28 | UK1000/A | 3111ST02 *RB28 | UK1000/A | 4011ST02 *RB28 |
| 1250A | UK1250/A | 3011ST02 *RB28 | UK1250/A | 3111ST02 *RB28 | UK1250/A | 4011ST02 *RB28 | |



| Encl. Ref. | Encl. Dim. | | | | Encl. Dim. | | | Cable Entries. | Line Drg. |
|------------|------------|-----|-----|----|------------|-----|-----|------------------|-----------|
| | H | W | D | D1 | H1 | W1 | d | | |
| RB2 | 194 | 119 | 115 | 8 | 133 | 137 | 6 | - | Fig. 4 |
| RB3 | 254 | 149 | 125 | 8 | 193 | 167 | 6 | - | Fig. 4 |
| RB4 | 309 | 234 | 150 | 8 | 248 | 252 | 6 | - | Fig. 4 |
| RB8 | 400 | 300 | 175 | - | 340 | 240 | 6.5 | 2 x gland plates | Fig. 6 |
| RB9 | 500 | 400 | 175 | - | 440 | 340 | 6.5 | 2 x gland plates | Fig. 6 |
| RB10 | 500 | 400 | 300 | - | 440 | 340 | 6.5 | 2 x gland plates | Fig. 6 |
| RB20 | 250 | 175 | 175 | - | 225 | 195 | 6 | - | Fig. 4 |
| RB25 | 650 | 450 | 225 | - | 590 | 390 | 6.5 | 2 x gland plates | Fig. 6 |
| RB26 | 800 | 550 | 225 | - | 740 | 490 | 6.5 | 2 x gland plates | Fig. 6 |
| RB27 | 900 | 600 | 300 | - | 840 | 540 | 6.5 | 2 x gland plates | Fig. 6 |
| RB28 | 1000 | 800 | 400 | - | 940 | 740 | 6.5 | 4 x gland plates | Fig. 6 |
| RB29 | 750 | 450 | 300 | - | 690 | 390 | 6.5 | 2 x gland plates | Fig. 6 |



Please refer to end of part no. for enclosure reference. See tables below:

| | 6 Pole | | 9 Pole | | 12 Pole | | Ie AC-21A |
|--|--------------------------|--|----------------------|--|-----------------------|--|--------------------|
| | | | UK 20/9000ST01 *RB20 | | UK 20/12000ST01 *RB20 | | 20A |
| | KG20B T206/GBA309 *RB2 | | UK 25/9000ST01 *RB20 | | UK 25/12000ST01 *RB20 | | 25A |
| | KG32B T206/GBA309 *RB2 | | UK 32/9000ST01 *RB20 | | UK 32/12000ST01 *RB20 | | 32A |
| | KG41B T206/GBA309 *RB3 | | | | | | 40A |
| | KG64B T206/GBA309 *RB3 | | | | | | 63A |
| | KG80 T206/GBA309 *RB4 | | | | | | 80A |
| | KG100 T206/GBA309 *RB4 | | | | | | 100A |
| | KG105 T206/GBA309 *RB4 | | | | | | 125A |
| | KG125 T206/GBA309 *RB9 | | | | | | 125A ³⁾ |
| | KG160 T206/GBA309 *RB9 | | | | | | 160A |
| | C200-4 T206/GBA309 *RB10 | | | | | | 200A |
| | | | | | | | 250A |
| | C316 T206/GBA309 *RB10 | | | | | | 275A |
| | C316 T206/GBA309 *RB29 | | | | | | 315A |

[<<back to index>>](#)

Without Auxiliaries

| | 6 Pole + Aux | | 9 Pole + Aux | | 12 Pole + Aux | | Ie AC-21A |
|--|--------------------------|--|----------------------|--|-----------------------|--|--------------------|
| | | | UK 20/9020ST01 *RB20 | | UK 20/12020ST01 *RB20 | | 20A |
| | KG20B T206/GBA359 *RB2 | | UK 25/9020ST01 *RB20 | | UK 25/12020ST01 *RB20 | | 25A |
| | KG32B T206/GBA359 *RB2 | | UK 32/9020ST01 *RB20 | | UK 32/12020ST01 *RB20 | | 32A |
| | KG41B T206/GBA359 *RB3 | | | | | | 40A |
| | KG64B T206/GBA359 *RB3 | | | | | | 63A |
| | KG80 T206/GBA359 *RB4 | | | | | | 80A |
| | KG100 T206/GBA359 *RB4 | | | | | | 100A |
| | KG105 T206/GBA359 *RB4 | | | | | | 125A |
| | KG125 T206/GBA365 *RB9 | | | | | | 125A ³⁾ |
| | KG160 T206/GBA365 *RB9 | | | | | | 160A |
| | C200-4 T206/GBA385 *RB10 | | | | | | 200A |
| | | | | | | | 250A |
| | C316 T206/GBA006 *RB10 | | | | | | 275A |
| | C316 T206/GBA365 *RB29 | | | | | | 315A |

With Auxiliaries ¹

Notes

- 1) The following auxiliary contacts are provided:-
- KG10 1 N.O. (early break) + 1 N.C.
 - KG20 to KG105 2 N.O. (early break)
 - KG125 to KG315 2 N.O. (early break) + 2 N.C.
 - UK20 to UK32 2 N.O. (early break)
 - C316/C200-4 2 N.O. (early break)
 - UK250/A to UK1250/A 1 N.O. (early break) + 1 N.C.

2) Switched neutral pole is early make/late break.

3) KG125 suitable for applications requiring larger cable termination and increased enclosure size.

OFF-ON / SWITCH DISCONNECTORS



Main/Emergency-Off Switch 20A - 315A

3, 4 & 6 POLE



IP RATING IP66 protection

ENCLOSURE brushed stainless steel, grade 316L

HANDLE OPTION red & yellow padlockable handle
optional black handle available

EARTH TERMINAL included + lid bonding link

FEATURE switch is interlocked with the lid to prevent opening in 'ON' position

| Without Auxiliaries | le AC-21A | 3 Pole | | 3 Pole + Solid Neutral (TP&N) | | 4 Pole (3ph + Sw N ²) | |
|---------------------|--------------------|------------------|------------------|-------------------------------|------------------|-----------------------------------|------------------|
| | 20A | KG10 | T203/GBA419 *SB2 | | | KG10 | T204/GBA519 *SB2 |
| | 25A | KG20 | T203/GBA419 *SB2 | KG20 | T207/GBA420 *SB2 | KG20 | T204/GBA519 *SB2 |
| | 32A | KG32 | T203/GBA419 *SB2 | KG32 | T207/GBA420 *SB2 | KG32 | T204/GBA519 *SB2 |
| | 40A | KG41 | T203/GBA409 *SB2 | KG41 | T207/GBA420 *SB2 | KG41 | T204/GBA509 *SB2 |
| | 63A | KG64 | T203/GBA409 *SB2 | KG64 | T207/GBA420 *SB2 | KG64 | T204/GBA509 *SB2 |
| | 80A | KG80 | T203/GBA409 *SB3 | KG80 | T207/GBA420 *SB3 | KG80 | T204/GBA509 *SB3 |
| | 100A | KG100 | T203/GBA409 *SB3 | KG100 | T207/GBA420 *SB3 | KG100 | T204/GBA509 *SB3 |
| | 125A | KG105 | T203/GBA409 *SB3 | KG105 | T207/GBA420 *SB3 | KG105 | T204/GBA509 *SB3 |
| | 125A ³⁾ | KG125 | T203/GBA409 *SB8 | KG125 | T207/GBA420 *SB8 | KG125 | T204/GBA509 *SB8 |
| 160A | KG160 | T203/GBA409 *SB8 | KG160 | T207/GBA420 *SB8 | KG160 | T204/GBA509 *SB8 | |
| 200A | KG210 | T203/GBA409 *SB9 | KG210 | T207/GBA420 *SB9 | KG210 | T204/GBA509 *SB9 | |
| 250A | KG250 | T203/GBA409 *SB9 | KG250 | T207/GBA420 *SB9 | KG250 | T204/GBA509 *SB9 | |
| 315A | KG315 | T203/GBA409 *SB9 | KG315 | T207/GBA420 *SB9 | KG315 | T204/GBA509 *SB9 | |

| With Auxiliaries ¹ | le AC-21A | 3 Pole + Aux | | 3 Pole + Solid Neutral (TP&N) + Aux | | 4 Pole (3ph + Sw N ²) + Aux | |
|-------------------------------|--------------------|------------------|------------------|-------------------------------------|------------------|---|------------------|
| | 20A | KG10 | T203/GBA468 *SB2 | | | KG10 | T204/GBA568 *SB2 |
| | 25A | KG20 | T203/GBA469 *SB2 | KG20 | T207/GBA480 *SB2 | KG20 | T204/GBA569 *SB2 |
| | 32A | KG32 | T203/GBA469 *SB2 | KG32 | T207/GBA480 *SB2 | KG32 | T204/GBA569 *SB2 |
| | 40A | KG41 | T203/GBA459 *SB2 | KG41 | T207/GBA480 *SB2 | KG41 | T204/GBA559 *SB2 |
| | 63A | KG64 | T203/GBA459 *SB2 | KG64 | T207/GBA480 *SB2 | KG64 | T204/GBA559 *SB2 |
| | 80A | KG80 | T203/GBA459 *SB3 | KG80 | T207/GBA480 *SB3 | KG80 | T204/GBA559 *SB3 |
| | 100A | KG100 | T203/GBA459 *SB3 | KG100 | T207/GBA480 *SB3 | KG100 | T204/GBA559 *SB3 |
| | 125A | KG105 | T203/GBA459 *SB3 | KG105 | T207/GBA480 *SB3 | KG105 | T204/GBA559 *SB3 |
| | 125A ³⁾ | KG125 | T203/GBA475 *SB8 | KG125 | T207/GBA490 *SB8 | KG125 | T204/GBA565 *SB8 |
| 160A | KG160 | T203/GBA475 *SB8 | KG160 | T207/GBA490 *SB8 | KG160 | T204/GBA565 *SB8 | |
| 200A | KG210 | T203/GBA485 *SB9 | KG210 | T207/GBA495 *SB9 | KG210 | T204/GBA575 *SB9 | |
| 250A | KG250 | T203/GBA485 *SB9 | KG250 | T207/GBA495 *SB9 | KG250 | T204/GBA575 *SB9 | |
| 315A | KG315 | T203/GBA485 *SB9 | KG315 | T207/GBA495 *SB9 | KG315 | T204/GBA575 *SB9 | |

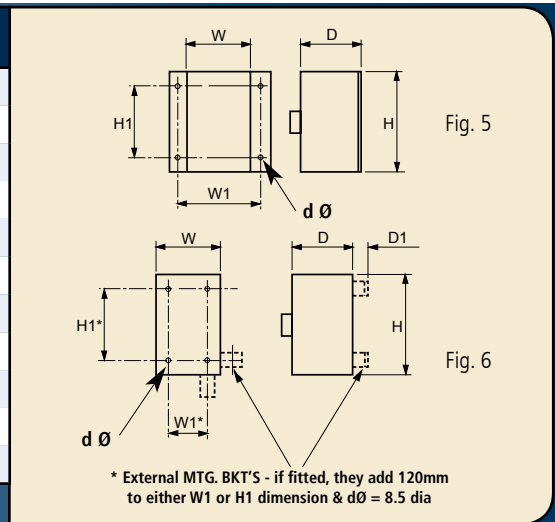
Main Switches 250A - 1250A 3 & 4 POLE (IP65 with black & red padlockable handle)

| With Auxiliaries ¹ | le AC-21A | 3 Pole + aux | | 3 Pole + aux + Neutral Link | | 4 Pole + aux | |
|-------------------------------|-----------|--------------|----------------|-----------------------------|----------------|--------------|----------------|
| | 250A | UK250/A | 3011ST02 *SB25 | UK250/A | 3111ST02 *SB25 | UK250/A | 4011ST02 *SB25 |
| | 315A | UK315/A | 3011ST02 *SB26 | UK315/A | 3111ST02 *SB26 | UK315/A | 4011ST02 *SB26 |
| | 400A | UK400/A | 3011ST02 *SB26 | UK400/A | 3111ST02 *SB26 | UK400/A | 4011ST02 *SB26 |
| | 630A | UK630/A | 3011ST02 *SB27 | UK630/A | 3111ST02 *SB27 | UK630/A | 4011ST02 *SB27 |
| | 800A | UK800/A | 3011ST02 *SB28 | UK800/A | 3111ST02 *SB28 | UK800/A | 4011ST02 *SB28 |
| | 1000A | UK1000/A | 3011ST02 *SB28 | UK1000/A | 3111ST02 *SB28 | UK1000/A | 4011ST02 *SB28 |
| | 1250A | UK1250/A | 3011ST02 *SB28 | UK1250/A | 3111ST02 *SB28 | UK1250/A | 4011ST02 *SB28 |



| Encl. Ref. | H | Encl. Dim. | | | | Encl. Dim. | | | Cable Entries. | Line Drg. |
|------------|------|------------|-----|----|-----|------------|-----|------------------|----------------|-----------|
| | | W | D | D1 | H1 | W1 | d | | | |
| SB2 | 194 | 119 | 116 | - | 133 | 137 | 6 | - | Fig. 5 | |
| SB3 | 254 | 149 | 126 | - | 193 | 167 | 6 | - | Fig. 5 | |
| SB4 | 309 | 234 | 151 | - | 248 | 252 | 6 | - | Fig. 5 | |
| SB8 | 400 | 300 | 175 | - | 340 | 240 | 6.5 | 2 x gland plates | Fig. 6 | |
| SB9 | 500 | 400 | 175 | - | 440 | 340 | 6.5 | 2 x gland plates | Fig. 6 | |
| SB10 | 500 | 400 | 300 | - | 440 | 340 | 6.5 | 2 x gland plates | Fig. 6 | |
| SB25 | 650 | 450 | 225 | - | 590 | 390 | 6.5 | 2 x gland plates | Fig. 6 | |
| SB26 | 800 | 550 | 225 | - | 740 | 490 | 6.5 | 2 x gland plates | Fig. 6 | |
| SB27 | 900 | 600 | 300 | - | 840 | 540 | 6.5 | 2 x gland plates | Fig. 6 | |
| SB28 | 1000 | 800 | 400 | - | 940 | 740 | 6.5 | 4 x gland plates | Fig. 6 | |
| SB29 | 750 | 450 | 300 | - | 690 | 390 | 6.5 | 2 x gland plates | Fig. 6 | |

Please refer to end of part no. for enclosure reference. See tables below:



| | 6 Pole | le AC-21A | Without Auxiliaries |
|--------|-------------------|--------------------|---------------------|
| | | 20A | |
| KG20B | T206/GBA609 *SB2 | 25A | |
| KG32B | T206/GBA609 *SB2 | 32A | |
| KG41B | T206/GBA609 *SB3 | 40A | |
| KG64B | T206/GBA609 *SB3 | 63A | |
| KG80 | T206/GBA609 *SB4 | 80A | |
| KG100 | T206/GBA609 *SB4 | 100A | |
| KG105 | T206/GBA609 *SB4 | 125A ³⁾ | |
| KG125 | T206/GBA609 *SB9 | 125A ³⁾ | |
| KG160 | T206/GBA609 *SB9 | 160A | |
| C200-4 | T206/GBA609 *SB10 | 200A | |
| | | 250A | |
| C316 | T206/GBA609 *SB29 | 315A | |

| | 6 Pole + Aux | le AC-21A | With Auxiliaries 1 |
|--------|-------------------|--------------------|--------------------|
| | | 20A | |
| KG20B | T206/GBA659 *SB2 | 25A | |
| KG32B | T206/GBA659 *SB2 | 32A | |
| KG41B | T206/GBA659 *SB3 | 40A | |
| KG64B | T206/GBA659 *SB3 | 63A | |
| KG80 | T206/GBA659 *SB4 | 80A | |
| KG100 | T206/GBA659 *SB4 | 100A | |
| KG105 | T206/GBA659 *SB4 | 125A | |
| KG125 | T206/GBA665 *SB9 | 125A ³⁾ | |
| KG160 | T206/GBA665 *SB9 | 160A | |
| C200-4 | T206/GBA003 *SB10 | 200A | |
| | | 250A | |
| C316 | T206/GBA659 *SB29 | 315A | |

NEW PRODUCT

Kraus & Naimer
Stainless Steel Range

Industrial interlocked Switch & Socket

- IP66
- 16Amp or 32Amp
- 3,4 or 5 pin
- 2 N.O. (early break) Aux contacts

Give us a call for more information

Notes

- 1) The following auxiliary contacts are provided:-
 KG10 1 N.O. (early break) + 1 N.C.
 KG20 to KG105 2 N.O. (early break)
 KG125 to KG315 2 N.O. (early break) + 2 N.C.
 UK20 to UK32 2 N.O. (early break)
 C316/C200-4 2 N.O. (early break)
 UK250/A to UK1250/A 1 N.O. (early break) + 1 N.C.

2) Switched neutral pole is early make/late break.

3) KG125 suitable for applications requiring larger cable termination and increased enclosure size.

our extensive range of **Switch-Disconnectors**

doesn't just stop at 100A **20A-1250A**

OFF-ON / SWITCH DISCONNECTORS



Main/Emergency-Off Switch 25A - 125A 3, 3 + Neutral & 4 POLE



IP RATING IP65 protection

ENCLOSURE brushed stainless steel, grade 304L with integral canopy

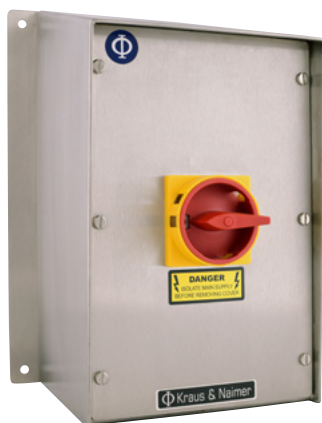
HANDLE OPTION red & yellow padlockable handle optional black handle available

SAFETY FEATURE switch is interlocked with the lid to prevent opening in 'ON' position

ADDITIONAL FEATURE sloping roof

| le AC-21A | Encl. Ref. | 3 Pole +2 N.O. aux | | 3 Pole + solid neutral +2 N.O. aux | | | |
|------------------|------------|--------------------|-------------------|------------------------------------|-------------------|--|--|
| 25A | SR04 | KG20 | T203/GBA630 *SR04 | KG20 | T207/GBA640 *SR04 | | |
| 32A | SR04 | KG32 | T203/GBA630 *SR04 | KG32 | T207/GBA640 *SR04 | | |
| 25A ² | SR14 | KG20 | T203/GBA601 *SR14 | KG20 | T207/GBA603 *SR14 | | |
| 32A ² | SR14 | KG32 | T203/GBA601 *SR14 | KG32 | T207/GBA603 *SR14 | | |
| 40A | SR14 | KG41 | T203/GBA601 *SR14 | KG41 | T207/GBA603 *SR14 | | |
| 63A | SR14 | KG64 | T203/GBA601 *SR14 | KG64 | T207/GBA603 *SR14 | | |
| 80A | SR24 | KG80 | T203/GBA601 *SR24 | KG80 | T207/GBA603 *SR24 | | |
| 100A | SR24 | KG100 | T203/GBA601 *SR24 | KG100 | T207/GBA603 *SR24 | | |
| 125A | SR24 | KG105 | T203/GBA601 *SR24 | KG105 | T207/GBA603 *SR24 | | |

Main/Emergency-Off Switch 25A - 125A 3, 3 + Neutral & 4 POLE



IP RATING IP65 protection

ENCLOSURE brushed stainless steel, grade 304L, with integral canopy

HANDLE OPTION red & yellow padlockable handle optional black handle available

SAFETY FEATURE switch is interlocked with the lid to prevent opening in 'ON' position

ADD. FEATURE sloping roof with welded mounting plate

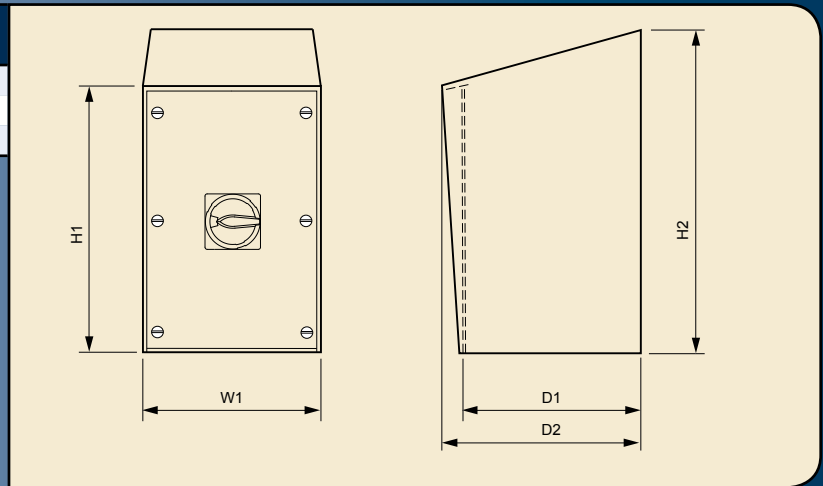
| le AC-21A | Encl. Ref. | 3 Pole +2 N.O. aux | | 3 Pole + solid neutral +2 N.O. aux | | | |
|------------------|------------|--------------------|--------------------|------------------------------------|--------------------|--|--|
| 25A | SR04L | KG20 | T203/GBA660 *SR04L | KG20 | T207/GBA670 *SR04L | | |
| 32A | SR04L | KG32 | T203/GBA660 *SR04L | KG32 | T207/GBA670 *SR04L | | |
| 25A ² | SR14L | KG20 | T203/GBA601 *SR14L | KG20 | T207/GBA603 *SR14L | | |
| 32A ² | SR14L | KG32 | T203/GBA601 *SR14L | KG32 | T207/GBA603 *SR14L | | |
| 40A | SR14L | KG41 | T203/GBA601 *SR14L | KG41 | T207/GBA603 *SR14L | | |
| 63A | SR14L | KG64 | T203/GBA601 *SR14L | KG64 | T207/GBA603 *SR14L | | |
| 80A | SR24L | KG80 | T203/GBA601 *SR24L | KG80 | T207/GBA603 *SR24L | | |
| 100A | SR24L | KG100 | T203/GBA601 *SR24L | KG100 | T207/GBA603 *SR24L | | |
| 125A | SR24L | KG105 | T203/GBA601 *SR24L | KG105 | T207/GBA603 *SR24L | | |

sloping roof - stainless steel enclosure



| Encl. Ref. | Front Plate | | Side View | | |
|------------|-------------|-----|-----------|-----|-----|
| | H1 | W1 | D1 | D2 | H2 |
| SR04 | 170 | 130 | 103 | 122 | 196 |
| SR14 | 193 | 130 | 132 | 151 | 234 |
| SR24 | 278 | 185 | 152 | 170 | 324 |

Please refer to the Encl. Ref. column in table below for enclosure reference:



| | 4 Pole (3ph + Sw N ¹) +2 N.O. aux | | le AC-21A |
|-------|---|--|------------------|
| KG20 | T204/GBA650 *SR04 | | 25A |
| KG32 | T204/GBA650 *SR04 | | 32A |
| KG20 | T204/GBA602 *SR14 | | 25A ² |
| KG32 | T204/GBA602 *SR14 | | 32A ² |
| KG41 | T204/GBA602 *SR14 | | 40A |
| KG64 | T204/GBA602 *SR14 | | 63A |
| KG80 | T204/GBA602 *SR24 | | 80A |
| KG100 | T204/GBA602 *SR24 | | 100A |
| KG105 | T204/GBA602 *SR24 | | 125A |

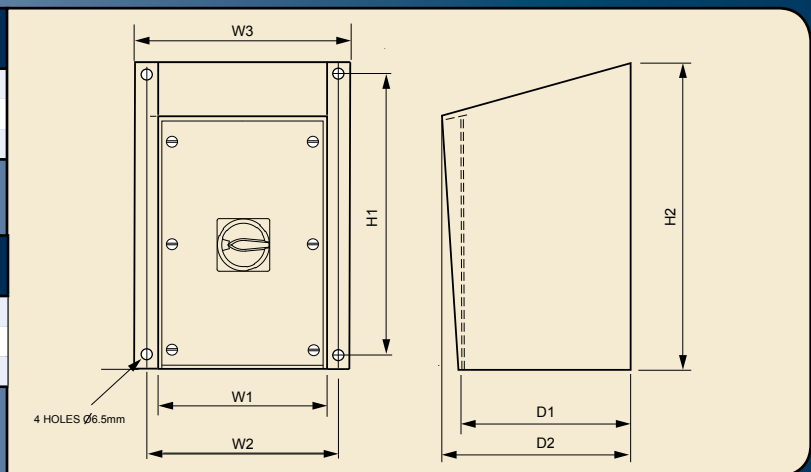
Note 1) Switched neutral pole is early make/late break.
2) Larger enclosure size (SR14)

[<<back to index>>](#)

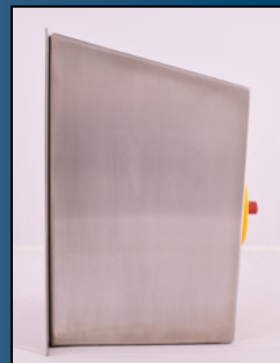
| Encl. Ref. | Front View | | | |
|------------|------------|-----|-----|-----|
| | H1 | W1 | W2 | W3 |
| SR04L | 171 | 130 | 155 | 180 |
| SR14L | 209 | 130 | 155 | 180 |
| SR24L | 299 | 185 | 210 | 260 |

| Encl. Ref. | Side View | | |
|------------|-----------|-------|-------|
| | H2 | D1 | D2 |
| SR04L | 196 | 104.2 | 123.2 |
| SR14L | 234 | 133.2 | 152.2 |
| SR24L | 324 | 153.2 | 171.2 |

Please refer to the Encl. Ref. column in table below for enclosure reference:



| | 4 Pole (3ph + Sw N ¹) +2 N.O. aux | | le AC-21A |
|-------|---|--|------------------|
| KG20 | T204/GBA680 *SR04L | | 25A |
| KG32 | T204/GBA680 *SR04L | | 32A |
| KG20 | T204/GBA602 *SR14L | | 25A ² |
| KG32 | T204/GBA602 *SR14L | | 32A ² |
| KG41 | T204/GBA602 *SR14L | | 40A |
| KG64 | T204/GBA602 *SR14L | | 63A |
| KG80 | T204/GBA602 *SR24L | | 80A |
| KG100 | T204/GBA602 *SR24L | | 100A |
| KG105 | T204/GBA602 *SR24L | | 125A |



The 15° sloping roof deflects water and prevents items from being placed on top of the enclosure, making it easier and safer to clean

Note 1) Switched neutral pole is early make/late break.
2) Larger enclosure size (SR14L)

OFF-ON / SWITCH DISCONNECTORS



Main/Emergency-Off Switch **25A - 315A**

3, 4 & 6 POLE



- IP& IK RATING** IP66 + IK10 protection
- ENCLOSURE** GRP, grey RAL7035
- HANDLE OPTION** red & yellow padlockable handle
optional black handle available
- EARTH TERMINAL** included
- SAFETY FEATURE** switch is interlocked with the lid to prevent opening in 'ON' position

| Without Auxiliaries | le AC-21A | 3 Pole | | 3 Pole + Solid Neutral (TP&N) | | 4 Pole (3ph + Sw N ²) | | | |
|---------------------|--------------------|------------------|------------------|-------------------------------|------------------|-----------------------------------|------------------|--|--|
| | 25A | KG20 | T203/GB00U2 *GP1 | KG20 | T207/GB00U2 *GP1 | KG20 | T204/GB00U2 *GP1 | | |
| | 32A | KG32 | T203/GB00U2 *GP1 | KG32 | T207/GB00U2 *GP1 | KG32 | T204/GB00U2 *GP1 | | |
| | 40A | KG41 | T203/GB00U2 *GP1 | KG41 | T207/GB00U2 *GP1 | KG41 | T204/GB00U2 *GP1 | | |
| | 63A | KG64 | T203/GB00U2 *GP1 | KG64 | T207/GB00U2 *GP1 | KG64 | T204/GB00U2 *GP1 | | |
| | 80A | KG80 | T203/GB00U2 *GP1 | KG80 | T207/GB00U2 *GP1 | KG80 | T204/GB00U2 *GP1 | | |
| | 100A | KG100 | T203/GB00U2 *GP1 | KG100 | T207/GB00U2 *GP1 | KG100 | T204/GB00U2 *GP1 | | |
| | 125A | KG105 | T203/GB00U2 *GP1 | KG105 | T207/GB00U2 *GP1 | KG105 | T204/GB00U2 *GP1 | | |
| | 125A ³⁾ | KG125 | T203/GB00T2 *GP6 | KG125 | T207/GB00T2 *GP6 | KG125 | T204/GB00T2 *GP6 | | |
| | 160A | KG160 | T203/GB00T2 *GP6 | KG160 | T207/GB00T2 *GP6 | KG160 | T204/GB00T2 *GP6 | | |
| 200A | KG210 | T203/GB00T1 *GP6 | KG210 | T207/GB00T1 *GP6 | KG210 | T204/GB00T1 *GP6 | | | |
| 250A | KG250 | T203/GB00T1 *GP6 | KG250 | T207/GB00T1 *GP6 | KG250 | T204/GB00T1 *GP6 | | | |
| 315A | KG315 | T203/GB00T1 *GP6 | KG315 | T207/GB00T1 *GP6 | KG315 | T204/GB00T1 *GP6 | | | |

| With Auxiliaries ¹ | le AC-21A | 3 Pole + Aux | | 3 Pole + Solid Neutral (TP&N) + Aux | | 4 Pole (3ph + Sw N ²) + Aux | | | |
|-------------------------------|--------------------|------------------|------------------|-------------------------------------|------------------|---|------------------|--|--|
| | 25A | KG20 | T203/GB20U2 *GP1 | KG20 | T207/GB20U2 *GP1 | KG20 | T204/GB20U2 *GP1 | | |
| | 32A | KG32 | T203/GB20U2 *GP1 | KG32 | T207/GB20U2 *GP1 | KG32 | T204/GB20U2 *GP1 | | |
| | 40A | KG41 | T203/GB20U2 *GP1 | KG41 | T207/GB20U2 *GP1 | KG41 | T204/GB20U2 *GP1 | | |
| | 63A | KG64 | T203/GB20U2 *GP1 | KG64 | T207/GB20U2 *GP1 | KG64 | T204/GB20U2 *GP1 | | |
| | 80A | KG80 | T203/GB20U2 *GP1 | KG80 | T207/GB20U2 *GP1 | KG80 | T204/GB20U2 *GP1 | | |
| | 100A | KG100 | T203/GB20U2 *GP1 | KG100 | T207/GB20U2 *GP1 | KG100 | T204/GB20U2 *GP1 | | |
| | 125A | KG105 | T203/GB20U2 *GP1 | KG105 | T207/GB20U2 *GP1 | KG105 | T204/GB20U2 *GP1 | | |
| | 125A ³⁾ | KG125 | T203/GB22T2 *GP6 | KG125 | T207/GB22T2 *GP6 | KG125 | T204/GB22T2 *GP6 | | |
| | 160A | KG160 | T203/GB22T2 *GP6 | KG160 | T207/GB22T2 *GP6 | KG160 | T204/GB22T2 *GP6 | | |
| 200A | KG210 | T203/GB22T1 *GP6 | KG210 | T207/GB22T1 *GP6 | KG210 | T204/GB22T1 *GP6 | | | |
| 250A | KG250 | T203/GB22T1 *GP6 | KG250 | T207/GB22T1 *GP6 | KG250 | T204/GB22T1 *GP6 | | | |
| 315A | KG315 | T203/GB22T1 *GP6 | KG315 | T207/GB22T1 *GP6 | KG315 | T204/GB22T1 *GP6 | | | |

Main/Emergency-Off Switch Flush Mounting **20A - 63A** 2, 3 & 4 POLE



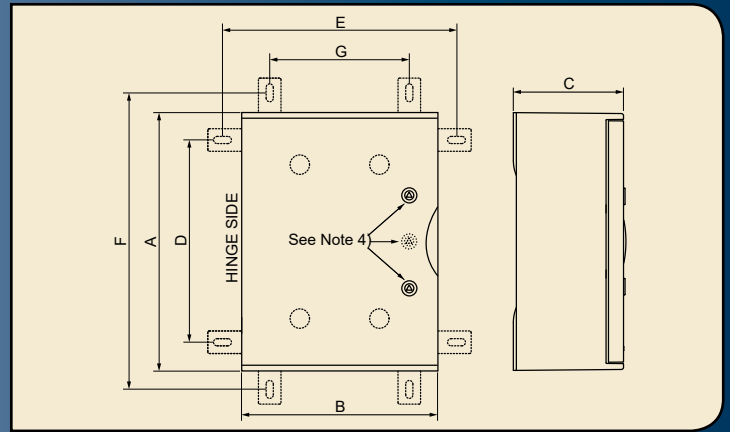
- IP RATING** IP40 protection (IP65 achievable using suitable sealant)
- MOUNTING PLATE** brushed stainless steel, grade 316L
- HANDLE OPTION** red and yellow padlockable handle
optional black handle available

| le AC-21A | Order Code No. | | |
|---------------|----------------|-----------------|--|
| 2 pole | | | |
| 20A | KG10 | T202/GBA011*SF1 | |
| 3 pole | | | |
| 20A | KG10 | T203/GBA286*SF1 | |
| 25A | KG20 | T203/GBA286*SF2 | |
| 32A | KG32 | T203/GBA286*SF2 | |
| 40A | KG41 | T203/GBA286*SF3 | |
| 63A | KG64 | T203/GBA286*SF3 | |
| 4 pole | | | |
| 20A | KG10 | T204/GBA304*SF1 | |
| 25A | KG20 | T204/GBA304*SF2 | |
| 32A | KG32 | T204/GBA304*SF2 | |
| 40A | KG41 | T204/GBA304*SF3 | |
| 63A | KG64 | T204/GBA304*SF3 | |



| Encl. Ref. | A | B | C | D | E | F | G |
|------------|-----|-----|-----|-----|-----|-----|-----|
| GP1 | 300 | 265 | 165 | 222 | 316 | 354 | 184 |
| GP3 | 425 | 325 | 180 | 348 | 377 | 480 | 245 |
| GP6 | 500 | 430 | 210 | 423 | 485 | 555 | 353 |
| GP23 | 650 | 540 | 260 | 573 | 594 | 705 | 462 |
| GP27 | 805 | 615 | 315 | 723 | 665 | 855 | 533 |

Please refer to end of part no. for enclosure reference. See tables below:



| 6 Pole | | le AC-21A | Without Auxiliaries |
|--------|-------------------|--------------------|---------------------|
| KG20B | T206/GB00U2 *GP1 | 25A | |
| KG32B | T206/GB00U2 *GP1 | 32A | |
| KG41B | T206/GB00U2 *GP1 | 40A | |
| KG64B | T206/GB00U2 *GP1 | 63A | |
| KG80 | T206/GB00U2 *GP3 | 80A | |
| KG100 | T206/GB00U2 *GP3 | 100A | |
| KG105 | T206/GB00U2 *GP3 | 125A | |
| KG125 | T206/GB00T2 *GP6 | 125A ³⁾ | |
| KG160 | T206/GB00T2 *GP6 | 160A | |
| C200-4 | T206/GB00T1 *GP23 | 200A | |
| | | 250A | |
| C316 | T206/GB00T1 *GP27 | 315A | |

[<<back to index>>](#)

Options can include:

- terminal blocks
- lid mounted push buttons & pilot lights
- emergency stop push button
- lockable door
- defeatable door interlock

External mounting brackets (which can be fitted either vertically or horizontally) are included as standard.

Notes

1) The following auxiliary contacts are provided:-

| | |
|----------------|-------------------------------|
| KG20 to KG105 | 2 N.O. (early break) |
| KG125 to KG315 | 2 N.O. (early break) + 2 N.C. |
| C200-4 & C316 | 2 N.O. (early break) |

2) Switched neutral pole is early make/late break.

3) KG125 suitable for applications requiring larger cable termination and increased enclosure size.

4) GP1 enclosures have 1 quarter turn lock. GP3, GP6, GP23 & GP27 enclosures have 2 quarter turn locks.

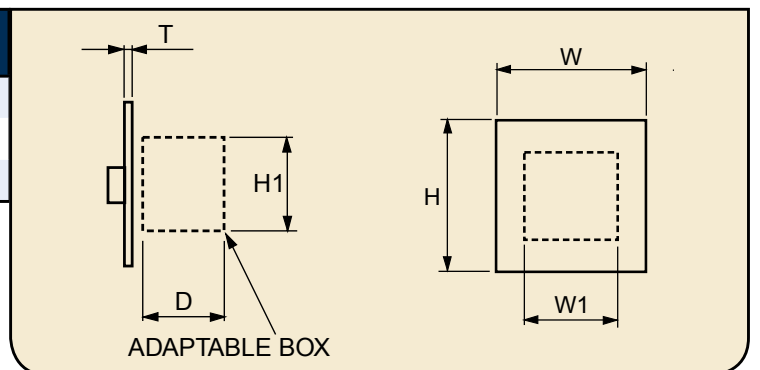
| 6 Pole + Aux | | le AC-21A | With Auxiliaries ¹ |
|--------------|-------------------|--------------------|-------------------------------|
| KG20B | T206/GB20U2 *GP1 | 25A | |
| KG32B | T206/GB20U2 *GP1 | 32A | |
| KG41B | T206/GB20U2 *GP1 | 40A | |
| KG64B | T206/GB20U2 *GP1 | 63A | |
| KG80 | T206/GB20U2 *GP3 | 80A | |
| KG100 | T206/GB20U2 *GP3 | 100A | |
| KG105 | T206/GB20U2 *GP3 | 125A | |
| KG125 | T206/GB22T2 *GP6 | 125A ³⁾ | |
| KG160 | T206/GB22T2 *GP6 | 160A | |
| C200-4 | T206/GB22T1 *GP23 | 200A | |
| | | 250A | |
| C316 | T206/GB22T1 *GP27 | 315A | |

stainless steel plate + galvanised steel adaptable box



| Encl. Ref. | Front Plate | | | Adaptable Box | | | Cable Entries. |
|------------|-------------|-----|---|---------------|-----|-----|------------------|
| | H | W | T | H1 | W1 | D | |
| SF1 | 100 | 100 | 2 | 78 | 78 | 77 | 8 x 20mm k'outs |
| SF2 | 125 | 125 | 2 | 103 | 103 | 77 | 12 x 20mm k'outs |
| SF3 | 175 | 175 | 2 | 153 | 153 | 102 | 16 x 20mm k'outs |

Please refer to end of part no. for enclosure reference. See adjacent table.



OFF-ON / SWITCH DISCONNECTORS



Main/Emergency-Off Switch

25A - 315A

3, 4 & 6 POLE



IP & IK RATING

IP66 + IK10 protection

ENCLOSURE

GRP, grey (RAL7035)
or red (RAL3000)

HANDLE OPTION

red & yellow padlockable handle
optional black handle available

EARTH TERMINAL

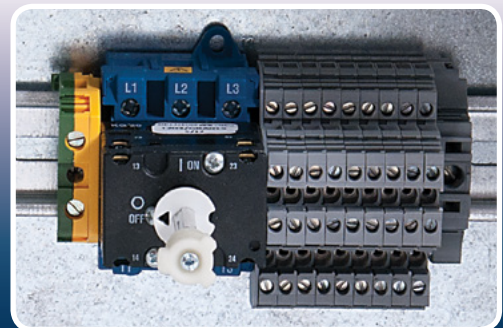
included

FEATURE

key lockable hinged lid, with
interlock to prevent opening in
the "ON" position

Combine a number of different switches & devices in one enclosure.

Kraus & Naimer offer a standard range of rotary isolators and changeover switches in GRP enclosures ranging from 25A to 315A, from 3 - 6 Pole and can also offer a variety of different fitted options from stock.



Main/Emergency-Off Switch

20A - 315A

3 & 6 POLE



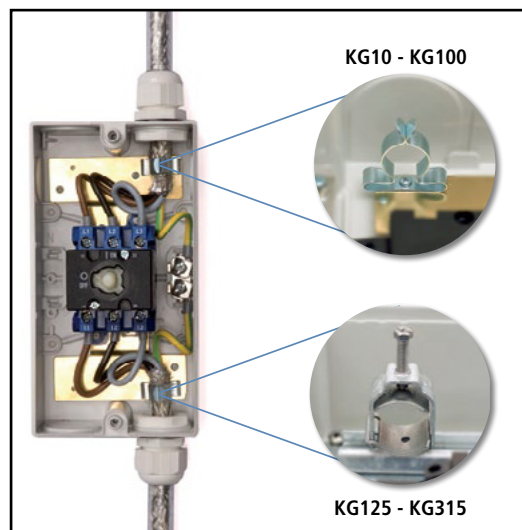
FEATURES

interlocked lid

integral metal plate to maintain cable screen continuity between input and output cables.

Screen termination by spring clamp (KG10-KG100) or screw clamp (KG125 - KG315).

Connections for screened control cables also available



| Screen Cable Dimensions (mm) | |
|------------------------------|---------|
| KG10 | 8 - 11 |
| KG20, KG32, KG20B, KG32B | 11 - 17 |
| KG41, KG64 | 11 - 17 |
| KG41B, KG64B | 22 - 30 |
| KG80, KG100 | 22 - 30 |
| KG80C, KG100C | 28 - 34 |
| KG125 - KG250 | 34 - 40 |
| KG315 | 46 - 52 |

IP RATING
ENCLOSURE
HANDLE OPTION

IP66/67 protection
grey insulated
red and yellow
padlockable handle
optional black
handle available



All-in-one solution

Combine a number of different switches/devices in one enclosure.

- Faster & safer installation
- Maximum flexibility
- Cost effective



Options include:



Please contact us to discuss your exact requirements. Our team are highly trained and ready to help with any technical questions you may have.

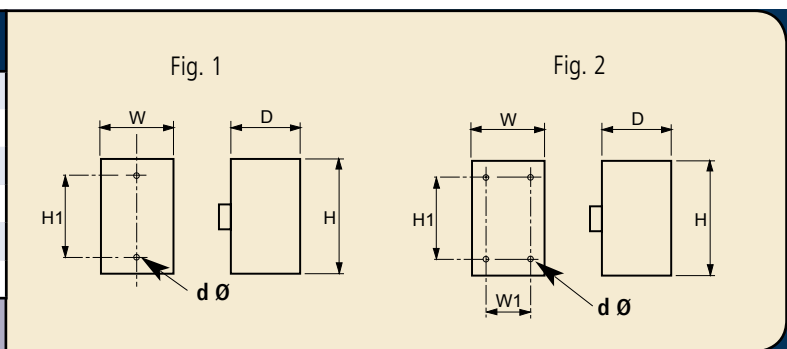
<<back to index>>



EMC compliant connection

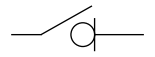
| Encl. Ref. | Encl. Dim. | | | Encl. Dim. | | | Line Drg. |
|---------------|------------|-----|-----|------------|-----|-----|-----------|
| | H | W | D | H1 | W1 | d | |
| KS51V | 120 | 85 | 90 | 110 | - | 4.2 | Fig. 1 |
| KL51V | 160 | 85 | 82 | 150 | - | 5.6 | Fig. 1 |
| KL11V | 190 | 100 | 93 | 178 | - | 5.6 | Fig. 1 |
| KL71V | 250 | 145 | 107 | 229 | 124 | 6.5 | Fig. 2 |
| STM3 (3 Pole) | 560 | 280 | 180 | 534 | 254 | 7 | Fig. 2 |
| STM6 (6 Pole) | 560 | 380 | 180 | 534 | 354 | 7 | Fig. 2 |

Please refer to the Encl. Ref. column in table below for enclosure reference:



| le AC-21A | 3 Pole + 1 n/o + 1 n/c aux | | Encl. Ref | 6 Pole + 1 n/o + 1 n/c aux | | Encl. Ref |
|-----------|----------------------------|-------------|-----------|----------------------------|-------------|-----------|
| 20A | KG10 | T203/D-A076 | KS51V | | | |
| 25A | KG20 | T203/D-A159 | KL51V | KG20B | T206/D-A059 | KL11V |
| 32A | KG32 | T203/D-A117 | KL51V | KG32B | T206/D-A054 | KL11V |
| 40A | KG41 | T203/D-A145 | KL11V | KG41B | T206/D-A052 | KL71V |
| 63A | KG64 | T203/D-A173 | KL11V | KG64B | T206/D-A066 | KL71V |
| 80A | KG80 | T203/D-A108 | KL71V | KG80C | T206/D-A070 | STM6 |
| 100A | KG100 | T203/D-A120 | KL71V | KG100C | T206/D-A060 | STM6 |
| 125A | KG125 | T203/D-A082 | STM3 | KG125 | T206/D-A020 | STM6 |
| 160A | KG160 | T203/D-A077 | STM3 | KG160 | T206/D-A040 | STM6 |
| 250A | KG250 | T203/D-A075 | STM3 | | | |
| 315A | KG315 | T203/D-A034 | STM3 | | | |

PV SWITCH DISCONNECTORS



AC Switch Disconnectors - Single & Three Phase AC-21A 25 - 40A



- IP RATING** IP66/67 protection
- ENCLOSURE** grey insulated (RAL7035)
- HANDLE OPTION** red/yellow padlockable
- EARTH TERMINAL** included
- FEATURE** switch interlocked with lid to prevent opening in 'ON' position

AC Switch Disconnectors - for Single Phase

Single Phase

| Current Rating AC-21A (per contact) | Order Code No. | FIG. | |
|-------------------------------------|-----------------------------------|-------|--|
| 25A | KG20 T203/GBA270*KS1V | FIG 4 | |
| 25A | KG20 T203/GBA294*KL ¹⁾ | FIG 1 | |
| 32A | KG32 T203/GBA294*KL ¹⁾ | FIG 1 | |
| 40A | KG41 T203/GBA270*KL1V | FIG 2 | |

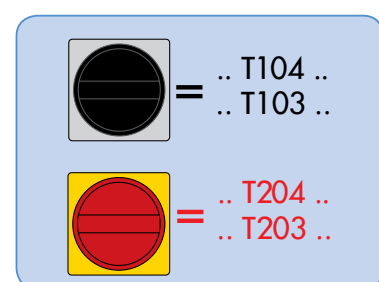
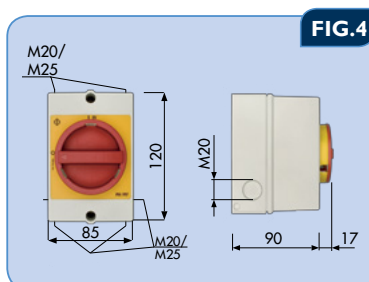
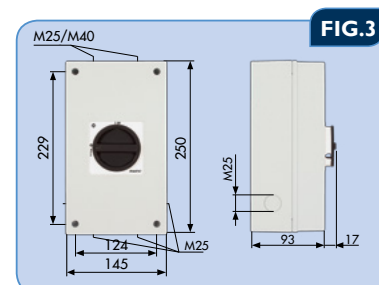
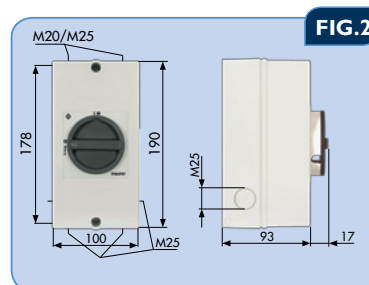
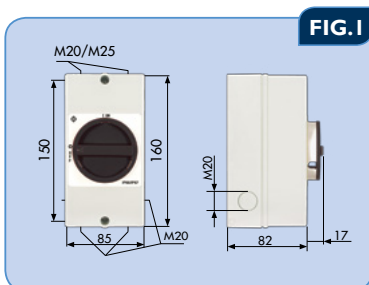
AC Switch Disconnectors - for Three Phase (3ph + Sw N²⁾)

Three Phase

| Current Rating AC-21A (per contact) | Order Code No. | FIG. | |
|-------------------------------------|--------------------------------------|-------|--|
| 25A | KG20 T204/GBA290*KS1V | FIG 4 | |
| 25A | KG20 T204/GBA486 KL51V ¹⁾ | FIG 1 | |
| 32A | KG32 T204/GBA486 KL51V ¹⁾ | FIG 1 | |
| 40A | KG41 T204/GBA290*KL1V | FIG 2 | |

¹⁾ Larger enclosure to match KG20/32 T104 DC enclosure

²⁾ Switched neutral pole is early make / late break.



220 - 1000A Single & Two String DC-21B - DC Switch Disconnectors

- IP RATING** IP66/67 protection
- ENCLOSURE** grey insulated (RAL7035)
- HANDLE OPTION** black/grey padlockable handle
- FEATURES** switch is interlocked with the lid to prevent opening in 'ON' position
- class II compliant
- rated for use in ambient temperatures up to 50°C
- non-polarity sensitive
- KGD40 - up to 50 amps @1000 VDC to give higher rating achieved by use of permanent magnets in the contact body used to reduce arcing time



Single String DC Switch Disconnectors - Selection Chart DC-21B (DC-PV1)

| Single String | Voltage | | | | | | | | | | | | | Order Code No. | FIG. | |
|---------------|---------|------|------|------|------|------|------|------|------|------|------|------|-------|---------------------------|-------|--|
| | 250V | 375V | 400V | 450V | 500V | 600V | 650V | 660V | 750V | 800V | 850V | 920V | 1000V | | | |
| | 25A | 25A | 25A | 25A | 21A | 20A | 20A | 18A | 18A | 18A | 11A | 11A | | KG20 T104/D-P003 KL51V | FIG 1 | |
| | | | | | | 25A | 25A | 23A | 23A | 23A | 15A | 15A | 12A | KG32 T104/D-P003 KL51V | FIG 1 | |
| | 50A | 40A | 40A | 30A | 30A | | | | | | | | | KGD40 TD102/D-P003 KL11V | FIG 2 | |
| | | 50A | | 40A | 40A | 40A | 30A | 30A | 30A | | 20A | 20A | 20A | KGD40 TD103/D-P003 KL11V | FIG 2 | |
| | | | 50A | 50A | 50A | | 40A | 40A | 40A | 40A | 30A | 30A | 30A | KGD40 TD104/D-P003 KL11V | FIG 2 | |
| | | | | | | 50A | 50A | 50A | 50A | | 40A | 40A | 40A | KGD40B TD106/D-P003 KL11V | FIG 3 | |
| | | | | | | | | | | 50A | 50A | 50A | 50A | KGD40B TD108/D-P003 KL11V | FIG 3 | |

Two String DC Switch Disconnectors - Selection Chart DC-21B (DC-PV1)

| Two String | Ratings Per String (220V - 500V) | | | | | | | | | | | Order Code No. | FIG. | |
|------------|----------------------------------|------|------|------|------|------|------|------|------|------|------|---------------------------|-------|--|
| | 220V | 250V | 280V | 330V | 340V | 375V | 400V | 420V | 440V | 460V | 500V | | | |
| | 25A | 21A | 21A | 20A | 20A | 18A | 18A | 11A | 11A | 11A | | KG20 T104/GB-P103 KL51V | FIG 1 | |
| | 28A | 28A | 28A | 25A | 25A | 23A | 23A | 15A | 15A | 15A | 12A | KG32 T104/GB-P103 KL51V | FIG 1 | |
| | 50A | 50A | 40A | 40A | 40A | 40A | 40A | 30A | 30A | 30A | 30A | KGD40 TD104/D-P004 KL11V | FIG 2 | |
| | | | 50A | 50A | 50A | 50A | | 40A | 40A | 40A | 40A | KGD40B TD106/D-P004 KL11V | FIG 3 | |
| | | | | | | | 50A | 50A | 50A | 50A | 50A | KGD40B TD108/D-P004 KL11V | FIG 3 | |

| Two String | Ratings Per String (510V - 1000V) | | | | | | | | | | | Order Code No. | FIG. | |
|------------|-----------------------------------|------|------|------|------|------|------|------|------|-------|--|---------------------------|-------|--|
| | 510V | 560V | 600V | 660V | 680V | 690V | 750V | 800V | 920V | 1000V | | | | |
| | 20A | 20A | 20A | 20A | 12A | 12A | 12A | 12A | 8A | 8A | | KGD40 TD104/D-P004 KL11V | FIG 2 | |
| | 25A | 23A | 23A | | 15A | 15A | | | | | | KG32B T106/GB-P103 KL11V | FIG 2 | |
| | | | | | 20A | 18A | 18A | 18A | 11A | | | KG20B T108/GB-P103 KL11V | FIG 3 | |
| | 40A | 40A | 40A | 30A | 30A | 30A | 30A | 20A | 20A | 20A | | KGD40B TD106/D-P004 KL11V | FIG 3 | |
| | | | | 40A | 40A | 40A | 40A | 40A | 30A | 30A | | KGD40B TD108/D-P004 KL11V | FIG 3 | |

Please select the switch disconnector according to the maximum voltage and current output of all upstream PV modules, this must include all corrective factors according to relevant standards. DC-PV2 ratings available on request.

[<<back to index>>](#)

CHANGEOVER / SWITCH DISCONNECTORS

Changeover Switch with centre off 16A - 160A 2, 3 & 4 POLE

Insulated



- IP66/67 protection
- auxiliary contacts provided with 3 & 4 pole switches
- black & red handle, padlockable in 'OFF' position
- earth terminal
- grey insulated enclosed (RAL7035)
- switch interlocked with lid to prevent opening in 'ON' position

| le AC-21A | 2 Pole | | Encl. Ref. | | |
|--------------------|--------|-------------------|------------|--|--|
| 16A | KH16 | T902/GBA002 *KS52 | KSA | | |
| 20A | KH20 | T902/GBA002 *KS52 | KSA | | |
| 25A | KH25 | T902/GBA002 *KS52 | KSA | | |
| 32A | KH32 | T902/GBA002 *KL12 | KLC | | |
| 40A | KH40 | T902/GBA002 *KL12 | KLC | | |
| 63A | KH63 | T902/GBA002 *KL72 | KLE | | |
| 80A | KH80 | T902/GBA002 *KL72 | KLE | | |
| 100A | KH85 | T902/GBA012 *KL72 | KLE | | |
| 125A | | | | | |
| 125A ³⁾ | | | | | |
| 160A | | | | | |

Mild Steel



- IP66 protection
- auxiliary contacts provided with 3 & 4 pole switches
- black & red handle, padlockable in 'OFF' position
- earth terminal & lid bonding link included
- grey powder paint finish (RAL7032) also available in red powder paint finish (RAL3000)
- switch interlocked with lid to prevent opening in 'ON' position

| le AC-21A | 2 Pole | | Encl. Ref. | | |
|--------------------|--------|------------------|------------|--|--|
| 16A | KH16 | T902/GBA020 *MB2 | MB2 | | |
| 20A | KH20 | T902/GBA020 *MB2 | MB2 | | |
| 25A | KH25 | T902/GBA020 *MB2 | MB2 | | |
| 32A | KH32 | T902/GBA020 *MB2 | MB2 | | |
| 40A | KH40 | T902/GBA020 *MB2 | MB2 | | |
| 63A | KH63 | T902/GBA020 *MB3 | MB3 | | |
| 80A | KH80 | T902/GBA020 *MB3 | MB3 | | |
| 100A | KH85 | T902/GBA020 *MB3 | MB3 | | |
| 125A | | | | | |
| 125A ³⁾ | | | | | |
| 160A | | | | | |

Stainless Steel



- IP66 protection
- auxiliary contacts provided with 3 & 4 pole switches
- black & red handle, padlockable in 'OFF' position
- earth terminal & lid bonding link included
- stainless steel enclosure, grade 316L
- switch interlocked with lid to prevent opening in 'ON' positions

| le AC-21A | 2 Pole | | Encl. Ref. | | |
|--------------------|--------|------------------|------------|--|--|
| 16A | KH16 | T902/GBA025 *SB2 | SB2 | | |
| 20A | KH20 | T902/GBA025 *SB2 | SB2 | | |
| 25A | KH25 | T902/GBA025 *SB2 | SB2 | | |
| 32A | KH32 | T902/GBA025 *SB2 | SB2 | | |
| 40A | KH40 | T902/GBA025 *SB2 | SB2 | | |
| 63A | KH63 | T902/GBA025 *SB3 | SB3 | | |
| 80A | KH80 | T902/GBA025 *SB3 | SB3 | | |
| 100A | KH85 | T902/GBA025 *SB3 | SB3 | | |
| 125A | | | | | |
| 125A ³⁾ | | | | | |
| 160A | | | | | |

Notes

- 1) 2-off electrically isolated early break auxiliary contacts are provided with the 3 & 4 pole switches. One of these contacts closes in position 1 and the other contact closes in position 2. Both of the contacts are open in the Off position.
- 2) Switched neutral pole is early make/late break.
- 3) KG125 suitable for applications requiring larger cable termination and increased enclosure size than the KG105.





| 3 Pole ¹⁾ | | Encl. Ref. | 4 Pole (3ph+Sw N ²⁾ ¹⁾ | | Encl. Ref. |
|----------------------|-----------------|------------|--|-----------------|------------|
| KG20B | T903/GBA013 *KL | KLC | KG20B | T904/GBA014 *KL | KLD |
| KG32B | T903/GBA013 *KL | KLC | KG32B | T904/GBA014 *KL | KLD |
| KG41B | T903/GBA013 *KL | KLD | KG41B | T904/GBA004 *ST | ST2 |
| KG64B | T903/GBA013 *KL | KLD | KG64B | T904/GBA004 *ST | ST2 |
| KG80 | T903/GBA013 *ST | STE | KG80 | T904/GBA004 *ST | ST3 |
| KG100 | T903/GBA013 *ST | STE | KG100 | T904/GBA004 *ST | ST3 |
| KG105 | T903/GBA013 *ST | STE | KG105 | T904/GBA004 *ST | ST3 |
| KG125 | T903/GBA035 *ST | ST4 | KG125 | T904/GBA045 *ST | ST4 |
| KG160 | T903/GBA035 *ST | ST4 | KG160 | T904/GBA045 *ST | ST4 |

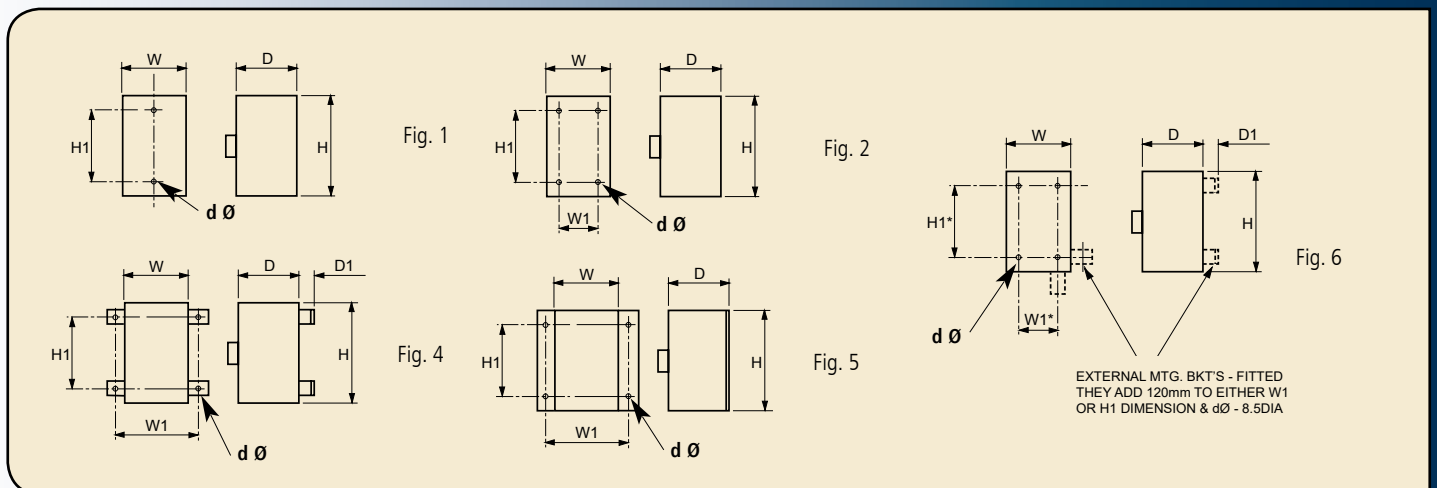
<<back to index>>

| 3 Pole ¹⁾ | | Encl. Ref. | 4 Pole (3ph+Sw N ²⁾ ¹⁾ | | Encl. Ref. |
|----------------------|------------------|------------|--|------------------|------------|
| KG20B | T903/GBA030 *MB3 | MB3 | KG20B | T904/GBA040 *MB3 | MB3 |
| KG32B | T903/GBA030 *MB3 | MB3 | KG32B | T904/GBA040 *MB3 | MB3 |
| KG41B | T903/GBA030 *MB3 | MB3 | KG41B | T904/GBA040 *MB3 | MB3 |
| KG64B | T903/GBA030 *MB3 | MB3 | KG64B | T904/GBA040 *MB3 | MB3 |
| KG80 | T903/GBA030 *MB4 | MB4 | KG80 | T904/GBA040 *MB4 | MB4 |
| KG100 | T903/GBA030 *MB4 | MB4 | KG100 | T904/GBA040 *MB4 | MB4 |
| KG105 | T903/GBA030 *MB4 | MB4 | KG105 | T904/GBA040 *MB4 | MB4 |
| KG125 | T903/GBA055 *MB9 | MB9 | KG125 | T904/GBA065 *MB9 | MB9 |
| KG160 | T903/GBA055 *MB9 | MB9 | KG160 | T904/GBA065 *MB9 | MB9 |

| 3 Pole ¹⁾ | | Encl. Ref. | 4 Pole (3ph+Sw N ²⁾ ¹⁾ | | Encl. Ref. |
|----------------------|------------------|------------|--|------------------|------------|
| KG20B | T903/GBA050 *SB3 | SB3 | KG20B | T904/GBA060 *SB3 | SB3 |
| KG32B | T903/GBA050 *SB3 | SB3 | KG32B | T904/GBA060 *SB3 | SB3 |
| KG41B | T903/GBA050 *SB3 | SB3 | KG41B | T904/GBA060 *SB3 | SB3 |
| KG64B | T903/GBA050 *SB3 | SB3 | KG64B | T904/GBA060 *SB3 | SB3 |
| KG80 | T903/GBA050 *SB4 | SB4 | KG80 | T904/GBA060 *SB4 | SB4 |
| KG100 | T903/GBA050 *SB4 | SB4 | KG100 | T904/GBA060 *SB4 | SB4 |
| KG105 | T903/GBA050 *SB4 | SB4 | KG105 | T904/GBA060 *SB4 | SB4 |
| KG125 | T903/GBA075 *SB9 | SB9 | KG125 | T904/GBA085 *SB9 | SB9 |
| KG160 | T903/GBA075 *SB9 | SB9 | KG160 | T904/GBA085 *SB9 | SB9 |

| Encl. Ref. | Encl. Dim. | | | | Encl. Dim. | | |
|------------|------------|-----|-------|----|------------|-----|-----|
| | H | W | D | D1 | H1 | W1 | d |
| KSA | 120 | 85 | 80 | - | 110 | - | 4.2 |
| KLC | 190 | 100 | 91 | - | 178 | - | 5.6 |
| KLD | 250 | 145 | 107 | - | 229 | 124 | 6.5 |
| KLE | 250 | 145 | 107 | - | 229 | 124 | 6.5 |
| STE | 280 | 190 | 230 | - | 254 | 164 | 7 |
| ST2 | 280 | 190 | 130 | - | 254 | 164 | 7 |
| ST3 | 380 | 280 | 180 | - | 354 | 254 | 7 |
| ST4 | 560 | 380 | 180 | - | 534 | 354 | 7 |
| MB2 | 194 | 119 | 115 | - | 133 | 137 | 6 |
| MB3 | 254 | 149 | 125 | 8 | 193 | 167 | 6 |
| MB4 | 309 | 234 | 150 | 8 | 248 | 252 | 6 |
| MB9 | 500 | 400 | 175 | - | 440 | 340 | 6.5 |
| SB2 | 194 | 119 | 116.5 | - | 133 | 137 | 6 |
| SB3 | 254 | 149 | 126.5 | - | 193 | 167 | 6 |
| SB4 | 309 | 234 | 151.5 | - | 248 | 252 | 6 |
| SB9 | 500 | 400 | 175 | - | 440 | 340 | 6.5 |

| Encl. Ref. | Cable Entries. | Line Drg. |
|------------|--------------------|-----------|
| KSA | 4 x 20/25mm k'outs | Fig. 1 |
| KLC | 4 x 20/25mm k'outs | Fig. 1 |
| KLD | 4 x 25/40mm k'outs | Fig. 2 |
| KLE | 4 x 25/40mm k'outs | Fig. 2 |
| STE | 1 x gland plate | Fig. 2 |
| ST2 | 2 x gland plates | Fig. 2 |
| ST3 | 2 x gland plates | Fig. 2 |
| ST4 | 2 x gland plates | Fig. 2 |
| MB2 | - | Fig. 4 |
| MB3 | - | Fig. 4 |
| MB4 | - | Fig. 4 |
| MB9 | 2 x gland plates | Fig. 6 |
| SB2 | - | Fig. 5 |
| SB3 | - | Fig. 5 |
| SB4 | - | Fig. 5 |
| SB9 | 2 x gland plates | Fig. 6 |



CHANGEOVER / SWITCH DISCONNECTORS

Changeover Switch with centre off 16A - 315A

2, 3 & 4 POLE



- IP & IK RATING** IP66 + IK10 protection
- ENCLOSURE** GRP, grey (RAL7035)
- HANDLE OPTION** black & red padlockable handle
- EARTH TERMINAL** included
- SAFETY FEATURE** switch is interlocked with the lid to prevent opening in 'ON' position

| le AC-21A | 2 Pole | | 3 Pole + aux ¹ | | | |
|--------------------|--------|------------------|---------------------------|--------|-------------------|--|
| 16A | KH16 | T902/GBC0T1 *GP2 | | | | |
| 20A | KH20 | T902/GBC0T1 *GP2 | | | | |
| 25A | KH25 | T902/GBC0T1 *GP2 | | KG20B | T903/GBC1U1 *GP1 | |
| 32A | KH32 | T902/GBC0T1 *GP2 | | KG32B | T903/GBC1U1 *GP1 | |
| 40A | KH40 | T902/GBC0T1 *GP2 | | KG41B | T903/GBC1U1 *GP1 | |
| 63A | KH63 | T902/GBC0T1 *GP2 | | KG64B | T903/GBC1U1 *GP1 | |
| 80A | KH80 | T902/GBC0T1 *GP2 | | KG80 | T903/GBC1U1 *GP3 | |
| 100A | KH85 | T902/GBC0T1 *GP2 | | KG100 | T903/GBC1U1 *GP3 | |
| 125A | | | | KG105 | T903/GBC1U1 *GP3 | |
| 125A ³⁾ | | | | KG125 | T903/GBC1T1 *GP6 | |
| 160A | | | | KG160 | T903/GBC1T1 *GP6 | |
| 200A | | | | C200-4 | T903/GBC1T1 *GP23 | |
| 315A | | | | C316 | T903/GBC1T1 *GP27 | |

If padlocking in "ALL POSITIONS" is required then change the 6th character of the GBC references to "6" For example:

Part no - KH16 T902/GBC0T1 *GP2 becomes KH16 T902/GBC0T6 *GP2 pricing remains the same.

LOAD SWITCH - Changeover Switch with Centre Off 32A - 315A 4 POLE



- IP RATING** IP66 protection
- ENCLOSURE** mild steel, grey powder paint finish RAL7032
- HANDLE OPTION** black and red padlockable handle

| le AC-21A | Order Code No. | | Encl. Ref. | |
|---------------|----------------|-------------------|------------|--|
| 4 Pole | | | | |
| 32A | CA25 | A213/GBA009 *MB20 | MB20 | |
| 40A | C32 | A213/GBA009 *MB20 | MB20 | |
| 63A | C42 | A213/GBA009 *MB20 | MB20 | |
| 100A | C80 | A213/GBA009 *MB22 | MB22 | |
| 150A | C125 | A213/GBA009 *MB22 | MB22 | |
| 200A | C200-4 | A213/GBA002 *MB10 | MB10 | |
| 275A | C315 | A213/GBA002 *MB10 | MB10 | |
| 315A | C315 | A213/GBA010 *MB29 | MB29 | |

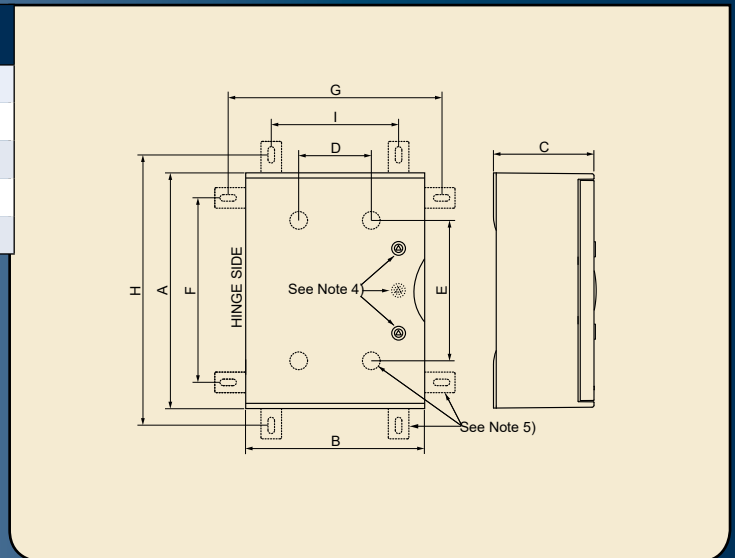


| Encl. Ref. | A | B | C | D | E | F | G | H | I |
|------------|-----|-----|-----|-----|-----|-----|-----|-----|-----|
| GP1/GP2 | 303 | 265 | 167 | 110 | 150 | 222 | 316 | 354 | 184 |
| GP3 | 428 | 325 | 183 | 132 | 255 | 348 | 377 | 480 | 245 |
| GP6 | 500 | 430 | 210 | 240 | 330 | 423 | 485 | 555 | 353 |
| GP23 | 654 | 543 | 265 | 348 | 480 | 573 | 594 | 705 | 462 |
| GP27 | 806 | 616 | 319 | 420 | 630 | 723 | 665 | 855 | 533 |

Please refer to end of part no. for enclosure ref.

Options can include:

- terminal blocks
- lid mounted push buttons & pilot lights
- emergency stop push button
- key lockable door handle



| | 4 Pole (3ph + Sw N ²) + aux ¹ | | le AC-21A |
|--|--|-------------------|--------------------|
| | | | 16A |
| | | | 20A |
| | | | 25A |
| | KG20B | T904/GBC1U1 *GP1 | 32A |
| | KG32B | T904/GBC1U1 *GP1 | 40A |
| | KG41B | T904/GBC1U1 *GP1 | 63A |
| | KG64B | T904/GBC1U1 *GP1 | 80A |
| | KG80 | T904/GBC1U1 *GP3 | 100A |
| | KG100 | T904/GBC1U1 *GP3 | 125A |
| | KG105 | T904/GBC1U1 *GP3 | 125A ³⁾ |
| | KG125 | T904/GBC1T1 *GP6 | 160A |
| | KG160 | T904/GBC1T1 *GP6 | 200A |
| | C200-4 | T904/GBC1T1 *GP23 | 315A |
| | C316 | T904/GBC1T1 *GP27 | |

[<<back to index>>](#)

Notes

- 1) 2-off electrically isolated early break auxiliary contacts are provided. One of these contacts closes in position 1 and the other contact closes in position 2. Both of the contacts are open in the OFF position.
- 2) Switched neutral pole is early make/late break.
- 3) KG125 suitable for applications requiring larger cable termination and increased enclosure size.
- 4) GP1/GP2 enclosures have 1 quarter turn lock, GP3, GP6, GP23 & GP27 enclosures have 2 quarter turn locks.
- 5) Dimensions 'D' and 'E' show the position for drilling internal fixing holes. External mounting brackets, which can be fixed either horizontally or vertically, are included with each switch.

EARTH TERMINAL SAFETY FEATURE

included + lid bonding link
switch is interlocked with the lid to prevent opening in 'ON' position

| Encl. Ref. | Encl. Dim. | | | | Encl. Dim. | | |
|------------|------------------|-----|-----|----|------------|-----|-----------|
| | H | W | D | D1 | H1 | W1 | d |
| MB10 | 500 | 400 | 300 | - | 440 | 340 | 6.5 |
| MB20 | 250 | 175 | 175 | - | 225 | 195 | 6 |
| MB22 | 400 | 300 | 275 | - | 340 | 240 | 6.5 |
| MB29 | 750 | 450 | 300 | - | 690 | 390 | 6.5 |
| Encl. Ref. | Cable Entries. | | | | | | Line Drg. |
| MB10 | 2 x gland plates | | | | | | Fig. 6 |
| MB20 | - | | | | | | Fig. 4 |
| MB22 | 2 x gland plates | | | | | | Fig. 6 |
| MB29 | 2 x gland plates | | | | | | Fig. 6 |

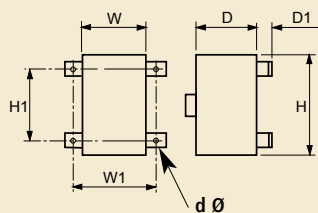


Fig. 4

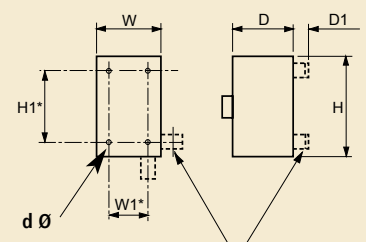


Fig. 6

EXTERNAL MTG. BKT'S - FITTED
THEY ADD 120mm TO EITHER W1
OR H1 DIMENSION & dØ - 8.5DIA

OFF-ON / SWITCH DISCONNECTORS insulated, mild & stainless steel enclosure

Main/Emergency-Off Switch + Emergency Stop Pushbutton

25A - 100A 4 & 6 POLE



- IP RATING** IP66/67 protection
- ENCLOSURE** insulated, grey (RAL7035)
- HANDLE OPTION** red/yellow padlockable handle
- EARTH TERMINAL** included
- FEATURES** stayput emergency-stop pushbutton, 1 N.C. contact, twist to reset. Switch interlocked with lid to prevent opening in 'ON' position
higher ratings available on request

| le AC-21A | Order Code No. | Encl.Ref. | |
|---|----------------------|-----------|--|
| 4 pole (3 ph+Sw N¹) + 1 n.o. (early break) + 1 n.c. aux | | | |
| 25A | KG20 T204/GBA285*KL | KLD | |
| 32A | KG32 T204/GBA285*KL | KLD | |
| 40A | KG41 T204/GBA285*KL | KLD | |
| 63A | KG64 T204/GBA285*KL | KLD | |
| 80A | KG80 T204/GBA285*KL | KLD | |
| 100A | KG100 T204/GBA285*KL | KLD | |
| 6 pole + 1 n.o. (early break) + 1 n.c. aux | | | |
| 25A | KG20B T206/GBA095*KL | KLD | |
| 32A | KG32B T206/GBA095*KL | KLD | |
| 40A | KG41B T206/GBA095*KL | KLD | |
| 63A | KG64B T206/GBA095*KL | KLD | |

Main/Emergency-Off Switch + Emergency Stop Pushbutton

25A - 100A 4 & 6 POLE



- IP RATING** IP66 protection
- ENCLOSURE** grey powder paint finish (RAL7032) also available in red paint finish (RAL3000)
- HANDLE OPTION** red/yellow padlockable handle
- EARTH TERMINAL** included + lid bonding link
- FEATURES** stayput emergency stop pushbutton, 1 N.C. contact, twist to reset. Switch interlocked with the lid to prevent opening in 'ON' position
higher ratings available on request

| le AC-21A | Order Code No. | Encl.Ref. | |
|---|-------------------------|-----------|--|
| 4 pole (3 ph+Sw N¹) + 1 n.o. (early break) + 1 n.c. aux | | | |
| 25A | KG20 T204/GBA350* MB3E | MB3E | |
| 32A | KG32 T204/GBA350* MB3E | MB3E | |
| 40A | KG41 T204/GBA350* MB3E | MB3E | |
| 63A | KG64 T204/GBA350* MB3E | MB3E | |
| 80A | KG80 T204/GBA350* MB3E | MB3E | |
| 100A | KG100 T204/GBA350* MB3E | MB3E | |
| 6 pole + 1 n.o. (early break) + 1 n.c. aux | | | |
| 25A | KG20B T206/GBA155*MB3E | MB3E | |
| 32A | KG32B T206/GBA155*MB3E | MB3E | |
| 40A | KG41B T206/GBA155*MB3E | MB3E | |
| 63A | KG64B T206/GBA155*MB3E | MB3E | |

Main/Emergency-Off Switch + Emergency Stop Pushbutton

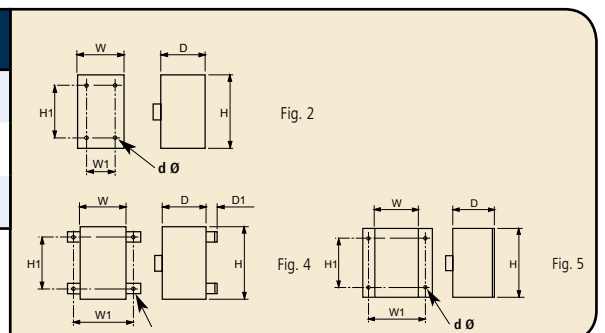
25A - 100A 4 & 6 POLE



- IP RATING** IP66 protection
- ENCLOSURE** stainless steel, grade 316L
- HANDLE OPTION** red/yellow padlockable handle
- EARTH TERMINAL** included + lid bonding link
- FEATURES** stayput emergency stop pushbutton, 1 N.C. contact, twist to reset. Switch interlocked with the lid to prevent opening in 'ON' position
higher ratings available on request

| le AC-21A | Order Code No. | Encl.Ref. | (£) |
|---|-------------------------|-----------|-----|
| 4 pole (3 ph+Sw N¹) + 1 n.o. (early break) + 1 n.c. aux | | | |
| 25A | KG20 T204/GBA440* SB3E | SB3E | |
| 32A | KG32 T204/GBA440* SB3E | SB3E | |
| 40A | KG41 T204/GBA440* SB3E | SB3E | |
| 63A | KG64 T204/GBA440* SB3E | SB3E | |
| 80A | KG80 T204/GBA440* SB3E | SB3E | |
| 100A | KG100 T204/GBA440* SB3E | SB3E | |
| 6 pole + 1 n.o. (early break) + 1 n.c. aux | | | |
| 25A | KG20B T206/GBA555*SB3E | SB3E | |
| 32A | KG32B T206/GBA555*SB3E | SB3E | |
| 40A | KG41B T206/GBA555*SB3E | SB3E | |
| 63A | KG64B T206/GBA555*SB3E | SB3E | |

| Encl. Ref. | Encl. Dim. | | | | Encl. Dim. | | | Cable Entries. | Line Drg. |
|------------|------------|-----|-------|----|------------|-----|-----|--------------------|-----------|
| | H | W | D | D1 | H1 | W1 | d | | |
| KLD | 250 | 145 | 107 | - | 229 | 124 | 6.5 | 4 x 25/40mm k'outs | Fig. 2 |
| MB3E | 254 | 149 | 125 | 8 | 193 | 167 | 6 | - | Fig. 4 |
| SB3E | 254 | 149 | 126.5 | - | 193 | 167 | 6 | - | Fig. 5 |



Mains-Off-Generator with appliance inlet 32A - 125A 2 & 4 POLE



IP RATING IP66 protection

ENCLOSURE mild steel, grey paint finish (RAL7035)

HANDLE OPTION black & red padlockable handle, padlockable in OFF position only (other options on request)

EARTH TERMINAL included

SAFETY FEATURE switch is interlocked with the lid to prevent opening in the 'ON' positions

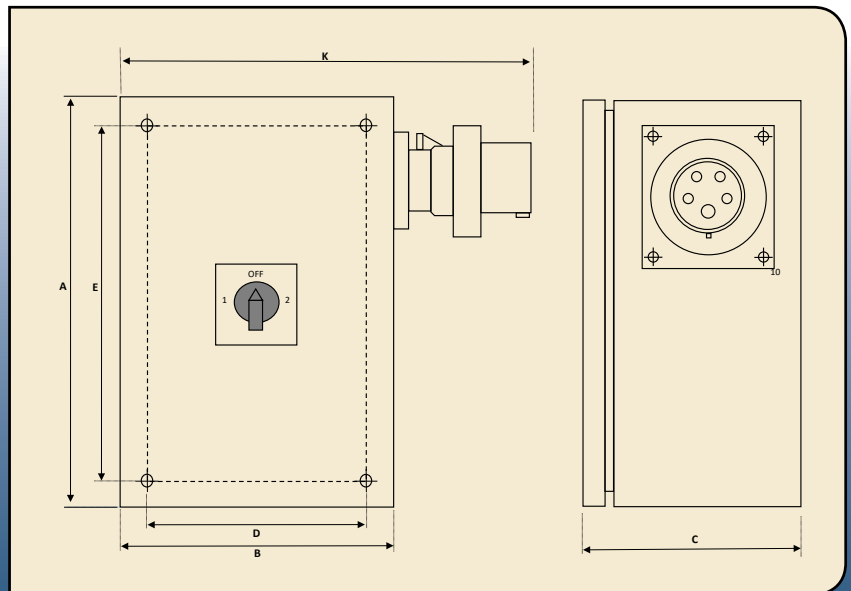
APPLIANCE INLET Available on either the right or left side of the enclosure. IP67 rated with locking ring. Socket is pre-wired to the switch.

[<<back to index>>](#)

| Encl. Ref. | A | B | C | D | E | K |
|------------|-----|-----|-----|-----|-----|-----|
| 1 | 300 | 200 | 150 | 160 | 260 | 327 |
| 2 | 300 | 200 | 150 | 160 | 260 | 355 |
| 3 | 400 | 300 | 200 | 260 | 360 | 455 |
| 4 | 400 | 300 | 200 | 260 | 360 | 430 |

Note

2-off electrically isolated early break auxiliary contacts are provided with the 4 pole switches. One of these contacts closes in position 1 and the other contact closes in position 2. Both of the contacts are open in the Off position.



| ie AC-21A | Left side inlet 2 Pole - 3 Pin | Encl. Ref | Left side inlet 4 Pole - 5 Pin + aux | Encl. Ref |
|-----------|---------------------------------|-----------|---------------------------------------|-----------|
| 32A | KH32 T902/GBL3P00 EB231 | 1 | KG32B T904/GBL5P20 EB231 | 1 |
| 63A | KH63 T902/GBL3P00 EB231 | 2 | KG64B T904/GBL5P20 EB342 | 3 |
| 125A | | | KG105 T904/GBL5P20 EB342 | 4 |
| ie AC-21A | Right side inlet 2 Pole - 3 Pin | Encl. Ref | Right side inlet 4 Pole - 5 Pin + aux | Encl. Ref |
| 32A | KH32 T902/GBR3P00 EB231 | 1 | KG32B T904/GBR5P20 EB231 | 1 |
| 63A | KH63 T902/GBR3P00 EB231 | 2 | KG64B T904/GBR5P20 EB342 | 3 |
| 125A | | | KG105 T904/GBR5P20 EB342 | 4 |

CONTROL STATIONS



Emergency Stop Pushbutton Station - without protective shroud

38mm diameter red mushroom head - twist to reset. 1 N.C. contact. Complies with EN 418/EN 60204-1.



| | | | | | |
|-----------------------|--|---|--|--|---|
| Order Code No. | P SN-GB0001 | P N261/GBA005 *SF1A | P N091/GBA023 *SB31 | P N091/GBA016 *RB31 | P N091/GBA017 *MB31 |
| Encl.Ref. | P1Y | SF1A | SB31 | RB31 | MB31 |
| | | | | | |
| | insulated enclosure IP66/67/69K | flush mounted stainless steel 316L IP40 (IP65 achievable with sealant) galvanised back box earth stud included | surface mounted stainless steel 316L IP66 earth terminal & lid bonding link | surface mounted Red RAL3000 mild steel IP66 earth terminal & lid bonding link | surface mounted Grey RAL7032 mild steel IP66 earth terminal & lid bonding link |

Emergency Stop Pushbutton Station - without protective shroud

38mm diameter red mushroom head - key operate to reset (1 included) Complies with EN 418/EN 60204-1.



| | | | | | |
|-----------------------|--|---|--|--|---|
| Order Code No. | P SN-GB0003 | P N261/GBA007 *SF1A | P N091/GBA024 *SB31 | P N091/GBA018 *RB31 | P N091/GBA019 *MB31 |
| Encl.Ref. | P1Y | SF1A | SB31 | RB31 | MB31 |
| | | | | | |
| | insulated enclosure IP66/67/69K | flush mounted stainless steel 316L IP40 (IP65 achievable with sealant) galvanised back box earth stud included | surface mounted stainless steel 316L IP66 earth terminal & lid bonding link | surface mounted Red RAL3000 mild steel IP66 earth terminal & lid bonding link | surface mounted Grey RAL7032 mild steel IP66 earth terminal & lid bonding link |

DIMENSIONS - for all Pushbutton Stations on this page:

| Encl. Ref. | Front Plate | | | H1 W1 D | | | Cable Entries. | Line Drg. |
|------------|-------------|-----|-----|---------|------|-----|-------------------------------|-----------|
| | H | W | D | H1 | W1 | D | | |
| P1Y | 80 | 72 | 56 | 66.5 | 58.5 | 4.5 | 1 x 20mm + 2 x 20/25mm k'outs | Fig. 1 |
| P2Y | 85 | 85 | 101 | 40 | 65 | 5.5 | 3 x 20mm k'outs | Fig. 4 |
| SF1A | 100 | 100 | 2 | 78 | 78 | 52 | 8 x 20mm k'outs | Fig. 3 |
| SB31 | 100 | 100 | 60 | 120 | 70 | 6.5 | - | Fig. 2 |
| RB31 | 100 | 100 | 60 | 120 | 70 | 6.5 | - | Fig. 2 |
| MB31 | 100 | 100 | 60 | 120 | 70 | 6.5 | - | Fig. 2 |

Fig. 1

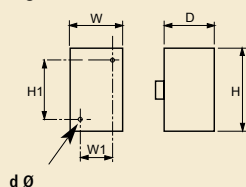


Fig. 2

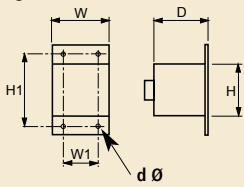


Fig.3

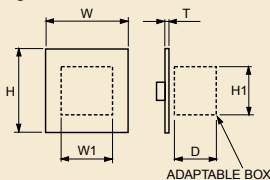
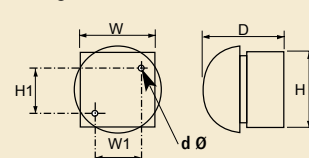


Fig.4



insulated, mild & stainless steel enclosure

Emergency Stop Pushbutton Station - with protective shroud

38mm diameter red mushroom head - twist to reset. 1 N.C. contact. Complies with EN 418/EN 60204-1.



| | | | | |
|--------------------------------|---|---|--|---|
| P SN-GB0053 | P N261/GBA010 *SF1A | P N091/GBA025 *SB31 | P N091/GBA020 *RB31 | P N091/GBA021 *MB31 |
| P1Y | SF1A | SB31 | RB31 | MB31 |
| insulated enclosure IP66/67 | flush mounted stainless steel 316L IP40 (IP65 achievable with sealant) galvanised back box earth stud included | surface mounted stainless steel 316L IP65 earth terminal & lid bonding link | surface mounted Red RAL3000 mild steel IP65 earth terminal & lid bonding link | surface mounted Grey RAL7032 mild steel IP65 earth terminal & lid bonding link |

Order
Code No.
Encl.Ref.

Emergency Stop Pushbutton Station - with protective shroud

38mm diameter red mushroom head - key operate to reset (1 included) Complies with EN 418/EN 60204-1.



| | | | | |
|--------------------------------|---|---|--|---|
| P SN-GB0054 | P N261/GBA011 *SF1A | P N091/GBA026 *SB31 | P N091/GBA022 *RB31 | P N091/GBA023 *MB31 |
| P1Y | SF1A | SB31 | RB31 | MB31 |
| insulated enclosure IP66/67 | flush mounted stainless steel 316L IP40 (IP65 achievable with sealant) galvanised back box earth stud included | surface mounted stainless steel 316L IP65 earth terminal & lid bonding link | surface mounted Red RAL3000 mild steel IP65 earth terminal & lid bonding link | surface mounted Grey RAL7032 mild steel IP65 earth terminal & lid bonding link |

Order
Code No.
Encl.Ref.

<<back to index>>

FIRE ALARM ISOLATOR - Double Pole 10A. Complies with EN BS5839 Part 1:2013, marked with the symbol for on-load isolation according to BS7671:2008



Providing a secure method of safely isolating the mains power supply to CIE during maintenance periods. The double pole device provides isolation of both the live and neutral supply and can only be operated by authorised maintenance technicians via removable key.





SAFETY FEATURE compliant to BS5839 Part 1:2013 marked with the symbol for on-load isolation according to BS7671:2008
double pole
key removable in both positions
supplied with 2 keys

| | | |
|-----------|----------------------|--|
| 1e AC-21A | 2 Pole | |
| 10A | CA4 T302/GBA001 RPB1 | |

Rotary Control Switch - Insulated Enclosure



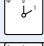






Grey Enclosure IP65

| | | | Order Code No. | Encl. Ref. |
|-------------------------|--------|---|----------------|------------|
| Off-On | 1 pole |  | KN1 | PF1A |
| Off-On | 3 pole |  | KN3 | PF1B |
| Changeover, without Off | 1 pole |  | KN2 | PF1A |
| Changeover, with Off | 2 pole |  | KN10 | PF1B |

Key Operated Control Switch - Insulated Enclosure



Grey Enclosure IP40

| | | | Order Code No. | Encl. Ref. |
|---|--------|--|----------------------|------------|
| Notes 1) Key removable in all positions. 2) Key removable in '0' position only. | | | | |
| Off-On ¹⁾ | 3 pole |  | CA10 A202/GBA003 *PN | PN1G |
| Off-On ¹⁾ | 4 pole |  | CA10 A203/GBA003 *PN | PN1G |
| Changeover, with Off ¹⁾ | 2 pole |  | CA10 A211/GBA009 *PN | PN1G |
| Changeover, without Off ¹⁾ | 2 pole |  | CA10 A221/GBA003 *PN | PN1G |
| Changeover, spring return to Off ²⁾ | 2 pole |  | CA10 A215/GBA002 *PN | PN1G |
| Step, 3 pos'n, without Off ¹⁾ | 1 pole |  | CA10 A230/GBA002 *PN | PN1G |
| Step, 4 pos'n, without Off ¹⁾ | 1 pole |  | CA10 A231/GBA004 *PN | PN1G |

LOAD SWITCHES

Emergency-Off Switch - 3 & 4 Pole 25A & 32A



IP RATING IP65 protection
ENCLOSURE grey insulated enclosure
HANDLE OPTION red/yellow padlockable handle included
EARTH TERMINAL FEATURE suitable for safety isolation in accordance with IEC 60947-3/BS EN 60947-3

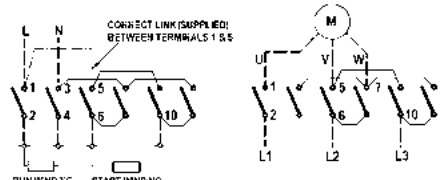
| le AC-21A | Order Code No. | Encl. Ref. |
|--|----------------|------------|
| 3 pole | | |
| 25A | KN5 | PF1E |
| 32A | KN7 | PF1E |
| 4 pole (3 ph+Sw N¹⁾) | | |
| 25A | KN6 | PF1E |
| 32A | KN8 | PF1E |

Motor Reversing Switch 3 Phase 5.5kW @ 415v & 1 Phase 1.5kW @ 240v



IP RATING IP42 protection
ENCLOSURE grey insulated enclosure
HANDLE OPTION grey handle/silver legend included
EARTH TERMINAL included

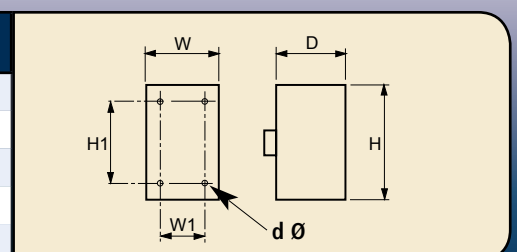
| Order Code No. | Encl. Ref. |
|----------------|------------|
| KN4 | PN1C |



CONNECT LINK (SUPPLIED) BETWEEN TERMINALS 1 & 5

RUN WIND'G START WIND'G

| Encl. Ref. | Encl. Dim. | | | Encl. Dim. | | | Cable Entries. |
|------------|------------|----|----|------------|----|-----|----------------|
| | H | W | D | H1 | W1 | d | |
| PF1A | 72 | 64 | 42 | 36 | 50 | 4.4 | 4 x 20mm ISO |
| PF1B | 72 | 64 | 51 | 36 | 50 | 4.4 | 4 x 20mm ISO |
| PF1E | 92 | 82 | 65 | 52 | 68 | 4.4 | 4 x 20mm ISO |
| PN1C | 72 | 64 | 56 | 36 | 50 | 4.4 | 4 x 20mm ISO |
| PN1G | 72 | 64 | 69 | 36 | 50 | 4.4 | 4 x 20mm ISO |



TECHNICAL DATA

| Switch Type | Thermal Rating | Insulation Voltage, U _i | Rated operating Current & power | | | | Short Circuit Protection | Terminal Capacity | | |
|---|---------------------------------|------------------------------------|-------------------------------------|--------|-----------------------------------|----------------------|--------------------------|-----------------------------------|--------------------------------|----------------------------------|
| | | | Operational current, I _e | | Operational Power, 3 ph. | | | | | |
| | | | AC-15 | AC-21A | AC-3 | AC-23A | | | | |
| | Enclosed rating I _{th} | V | 110V 220-240V 380-440V | 690V | 220-240V 380-440V | 230-240V 380-440V | Max. fuse gL/gG char. | Single core/ stranded wire. | Flexible wire, with sleeve. | Terminal bolt for Cu bar/lug. |
| | | | A | A | kW | | | | | |
| Switch-disconnectors - selection data in accordance with: IEC 60947, IEC 60204, BS EN 60947, BS EN 60204 | | | | | | | | | | |
| KG10 | 20 | 690 | - - - | 20 | 2.2 3.7 | 3 5.5 | 20 | 2.5 | 1.5 | - |
| KG20 | 25 | 690 | - - - | 25 | 4 5.5 | 5.5 7.5 | 35 | 6 | 4 | - |
| KG32 | 32 | 690 | - - - | 32 | 5.5 7.5 | 5.5 11 | 35 | 6 | 4 | - |
| KG41 | 40 | 690 | - - - | 40 | 7.5 11 | 7.5 15 | 50 | 16 | 10 | - |
| KG64 | 63 | 690 | - - - | 63 | 11 18.5 | 11 22 | 63 | 16 | 10 | - |
| KG80 | 80 | 690 | - - - | 80 | 15 22 | 18.5 30 | 80 | 50 | 35 | - |
| KG100 | 100 | 690 | - - - | 100 | 18.5 30 | 22 37 | 100 | 50 | 35 | - |
| KG105 | 125 | 690 | - - - | 125 | 22 37 | 25 45 | 125 | 50 | 35 | - |
| KG125 | 125 | 1000 ¹⁾ | - - - | 125 | 22 37 | 30 45 | 125 | 95 | 70 | - |
| KG160 | 160 | 1000 ¹⁾ | - - - | 160 | 30 45 | 30 55 | 160 | 95 | 70 | - |
| KG210 | 200 | 1000 ¹⁾ | - - - | 200 | 37 55 | 37 75 | 200 | 185 | 120 | - |
| KG250 | 250 | 1000 ¹⁾ | - - - | 250 | 37 55 | 37 90 | 250 | 185 | 120 | - |
| KG315 | 315 | 1000 ¹⁾ | - - - | 315 | 45 75 | 55 110 | 315 | 185 | 120 | - |
| KH16 | 16 | 800 ¹⁾ | - - - | 16 | 3 5.5 | 4.5 7.5 | 25 | 6 | 4 | - |
| KH20 | 20 | 800 ¹⁾ | - - - | 20 | 3.5 6.5 | 5.5 10 | 32 | 6 | 4 | - |
| KH25 | 25 | 800 ¹⁾ | - - - | 25 | 4 7.5 | 7 12 | 35 | 6 | 4 | - |
| KH32 | 32 | 800 ¹⁾ | - - - | 32 | 5.5 11 | 9 16 | 35 | 10 | 6 | - |
| KH40 | 40 | 800 ¹⁾ | - - - | 40 | 7.5 15 | 11 20 | 50 | 10 | 6 | - |
| KH63 | 63 | 1000 ¹⁾ | - - - | 63 | 11 22 | 18.5 30 | 80 | 35 | 25 | - |
| KH80 | 80 | 1000 ¹⁾ | - - - | 80 | 15 30 | 23 40 | 100 | 35 | 25 | - |
| KH85 | 100 | 1000 ¹⁾ | - - - | 100 | 3) 3) | 3) 3) | 100 | 35 | 25 | - |
| UK20 | 20 | 690 | 5 5 4 | 20 | 3 5.5 | 3.7 7.5 | 25 | 2x2.5 | 2x2.5 | - |
| UK25 | 25 | 690 | 8 8 5 | 25 | 4 7.5 | 5.5 11 | 35 | 2x4 | 2x2.5 | - |
| UK32 | 32 | 690 | 12 12 6 | 32 | 5.5 11 | 7.5 15 | 35 | 2x6 | 2x4 | - |
| UK250/A | 250 | 1000 | - - - | 250 | - - | 75 140 | 315 | 150 | M8 | |
| UK315/A | 315 | 1000 | - - - | 315 | - - | 100 160 | 500 | 240 | M10 | |
| UK400/A | 400 | 1000 | - - - | 400 | - - | 132 220 | 500 | 240 | M10 | |
| UK630/A | 630 | 1000 | - - - | 630 | - - | 200 355 | 800 | 400/2x155 | M12 | |
| UK800/A | 800 | 1000 | - - - | 800 | - - | 250 450 | 800 | 500/2x240 | M12 | |
| UK1000/A | 1000 | 1000 | - - - | 1000 | - - | - 560 | 1250 | 630/2x400 | M12 | |
| UK1250/A | 1250 | 1000 | - - - | 1250 | - - | - 710 | 1250 | 2x400 | M12 | |
| C200-4 | 200 | 690 | - - - | 200 | 22 37 | 37 75 | 200 | 95 | 95 | M8 |
| C316 (6 pole) (in RB10, MB10, SB10 encl) | 275 | 1000 | - - - | 275 | 37 55 | 75 132 | 315 | 150 | 150 | M12 |
| C316 (6 pole) (in RB29, MB29, SB29 encl) | 315 | 1000 | - - - | 315 | 37 55 | 75 132 | 315 | 185 | 150 | M12 |
| C316 (3 + 4 pole) (in GP27 encl) | 315 | 1000 | - - - | 315 | 37 55 | 75 132 | 315 | 150 | 150 | M12 |
| Switch & Control Stations - selection data in accordance with: IEC 60947, BS EN 60947. | | | | | | | | | | |
| CA4 | 10 | 440 | - 2.5 1.5 | 10 | 0.55 2.2 | 0.75 3 | 10 | 2x1.5 | 2x1.5 | - |
| CA25 | 32 | 690 | 12 12 6 | 32 | 5.5 11 | 7.5 15 | 35 | 2x6 | 2x4 | - |
| C32 | 50 | 690 | 16 16 7 | 40 | 7.5 15 | 11 22 | 63 | 2x10 | 2x6 | - |
| C42 | 63 | 690 | - - - | 63 | 11 18.5 | 15 30 | 80 | 2x16 | 2x10 | - |
| C80 | 115 | 690 | - - - | 100 | 15 30 | 30 45 | 125 | 35 | 25 | - |
| C125 | 150 | 690 | - - - | 150 | 22 37 | 37 75 | 200 | 70 | 50 | - |
| C200-4 | 200 | 690 | - - - | 200 | 22 37 | 37 75 | 200 | 95 | 95 | M8 |
| C315 (In MB10 encl) | 275 | 690 | - - - | 275 | 37 55 | 75 132 | 315 | 150 | 150 | M12 |
| C315 (In MB29 encl) | 315 | 690 | - - - | 315 | 37 55 | 75 132 | 315 | 185 | 150 | M12 |
| KN1/KN2/KN3/KN10/CA10 | 20 | 690 | 5 5 4 | 20 | 3 5.5 | 3.7 7.5 | 25 | 2x2.5 | 2x2.5 | - |
| KN4 | 20 | 690 | - - - | - | 3 ²⁾ 5.5 ²⁾ | - - | 25 | 2x2.5 | 2x2.5 | - |
| KN5/KN6 | 25 | 690 | 8 8 5 | 25 | 4 7.5 | 5.5 11 | 35 | 2x4 | 2x2.5 | - |
| KN7/KN8 | 32 | 690 | 14 14 6 | 32 | 5.5 11 | 7.5 15 | 50 | 2x6 | 2x4 | - |
| P N/P SN | 6 | 500 | 6 6 4 | - | - - | - - | 10 | 2.5 | 1.5 | - |

Notes: 1) Only valid for no-load switching (AC-20A) above 690v.
2) 1 phase, 240v, rating = 1.5kW.

3) KH85 is only available as 2 pole changeover switch.
Single phase rating @240v: AC-3 = 10kW, 62A. AC-23A = 11kW, 68A.

[<<back to index>>](#)

DEGREES OF PROTECTION

IP Codes

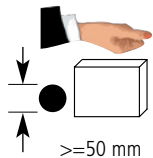
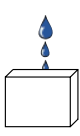
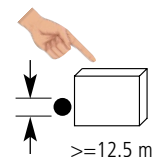
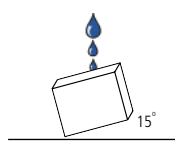
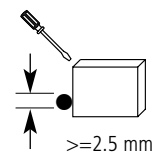
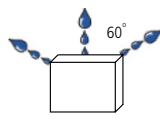
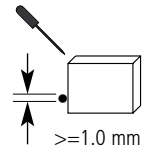
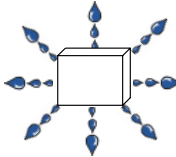
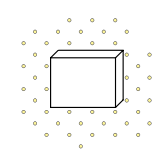
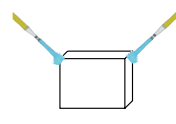
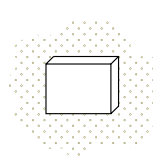
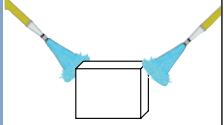
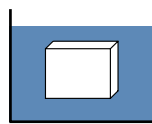
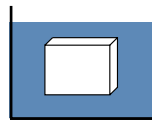
A coding system is defined by BS EN 60529 for the classification of degrees of protection provided by enclosures of electrical equipment against solid objects and water. This coding comprises the letters 'IP' followed by a two digit code as follows:-

IP 6 5

Defines protection against solid objects and access to hazardous parts.

Defines protection against water.

Degrees of protection indicated by a number up to and including '6' implies compliance with the requirements for all lower numbers. For a code with a second digit of 7 or 8, a second code must be stated to specify protection against water jets or spray. eg IP66/IP67.

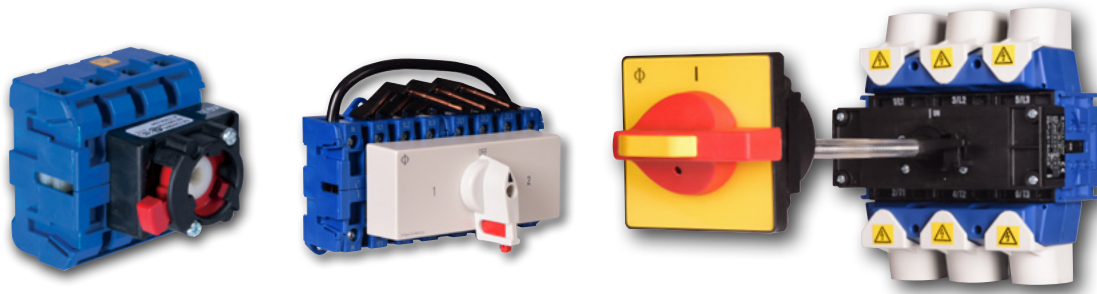
| 1st Digit | Protection against solid objects and access to hazardous parts. | 2nd Digit | Protection against water |
|-----------|---|-----------|--|
| 0 | No protection | 0 | No protection |
| 1 |  No ingress by solid objects ≥ 50 mm dia nor access to hazardous parts with the back of the hand | 1 |  Vertically falling drops of water shall have no harmful effect. |
| 2 |  No ingress by solid objects ≥ 12.5 mm dia nor access to hazardous parts with a finger. | 2 |  Vertically falling drops of water shall have no harmful effect when the enclosure is tilted at any angle up to 15° from vertical. |
| 3 |  No ingress by solid objects ≥ 2.5 mm dia nor access to hazardous parts with a tool. | 3 |  Water sprayed at up to 60° from the vertical shall have no harmful effect. |
| 4 |  No ingress by solid objects ≥ 1.0 mm dia nor access to hazardous parts with a wire. | 4 |  Water splashed from any direction shall have no harmful effect. |
| 5 |  Dust protected. Ingress of dust is not completely prevented, but there should be no harmful deposits. No access to hazardous parts with a wire. | 5 |  Jets of water projected from any direction shall have no harmful effect. |
| 6 |  Dust-tight. No ingress of dust. No access to hazardous parts with a wire. | 6 |  Strong jets of water projected from any direction shall have no harmful effect. |
| | | 7 |  Temporary immersion in water shall not result in ingress of harmful quantities of water. |
| | | 8 |  Continuous immersion in water shall not result in ingress of harmful quantities of water. |

Reference should be made to BS EN 60529:1992 for full details concerning test and acceptance criteria.

Specification for IP69K - The IP69K rating is for applications where high pressure and high temperature washdown is used to sanitize equipment, prescribed by Germany standard DIN 40050 PART9. Products rated to IP69K must be able to withstand high-pressure and steam cleaning. • The test specifies a spray nozzle that is fed with 80 °C water at 80–100 bar (~1160-1450) and a flow rate of 14–16 L/min. • The nozzle is held 10–15 cm from the tested device at angles of 0°, 30°, 60° and 90° for 30 seconds each. • The test device sits on a turntable that rotates once every 12 seconds.

Switch-disconnectors

open switches (pages 32 - 47)



This section contains the most popular Kraus & Naimer Blue Line switch-disconnectors including our range of main/emergency-off switches, main switches and changeover switches.

Contents

Page

Off - On Switch-disconnectors

Main/Emergency-Off Switch

[Front Panel Mounting Single Hole Fixing Handle](#) 32

[Front Panel Mounting 4 Hole Fixing Handle](#) 33

[Base Mounting Single Hole Fixing Handle](#) 34

[Base Mounting 4 Hole Fixing Handle](#) 35

Main/Emergency-Off Switch with Defeatable Door Interlock

[Base Mounting Single Hole Fixing Handle](#) 36

[Base Mounting 4 Hole Fixing Handle](#) 37

Changeover Switch-disconnectors

Changeover Switch with Centre Off

[Base Mounting 4 Hole Fixing Handle 2, 3 & 4 pole 16A to 160A](#) 38

[Base Mounting, suitable for 45mm distribution board cutout](#) 38

Optional Extras

[Side Mounted Earth Terminal](#) 39

[Side Mounted Neutral Terminal](#) 39

[Side Mounted Auxiliary Contact](#) 39

[Mounting Tool](#) 39

[Terminal Covers](#) 39

Technical Data, dimensions & general information

[Technical Data](#) 40

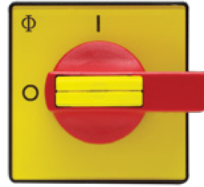
[Connection Diagrams](#) 41

[Dimensions](#) 42 to 47

OFF-ON ~ SWITCH DISCONNECTORS



Main/Emergency-Off Switch - 2, 3 & 4 Pole
Front Panel Mounting Single Hole Fixing Handle 20A to 32A



- IP RATING** IP66/67/69K front protection
- HANDLE OPTION** Red & yellow padlockable handle or black & silver option available
- FRONT PLATE SIZE** 48mm x 48mm
- FEATURES** fingerproof terminals
variations on auxiliaries available plus add-on auxiliary blocks for KG20 & KG32 (see page 39)

| | | | | | | | | | |
|---------------------|-----------|-------------------|--|-------------------|--|------------------------|--|-----------------------------------|--|
| Without Auxiliaries | le AC-21A | 2 Pole | | 3 Pole | | 3 Pole + Solid Neutral | | 4 Pole (3ph + Sw N ²) | |
| | 20A | KG10A T202/04 FT2 | | KG10A T203/04 FT2 | | | | KG10A T204/04 FT2 | |
| | 25A | | | KG20A T203/04 FT2 | | KG20A T207/04 FT2 | | KG20A T204/04 FT2 | |
| | 32A | | | KG32A T203/04 FT2 | | KG32A T207/04 FT2 | | KG32A T204/04 FT2 | |

| | | | | | | | | | |
|-------------------------------|-----------|--|--|-----------------------|--|------------------------------|--|---|--|
| With Auxiliaries ¹ | le AC-21A | | | 3 Pole + Aux | | 3 Pole + Solid Neutral + Aux | | 4 Pole (3ph + Sw N ²) + Aux | |
| | 20A | | | KG10A T203/GBA319 FT2 | | | | KG10A T204/GBA330 FT2 | |
| | 25A | | | KG20A T203/GBA320 FT2 | | KG20A T207/GBA325 FT2 | | KG20A T204/GBA330 FT2 | |
| | 32A | | | KG32A T203/GBA320 FT2 | | KG32A T207/GBA325 FT2 | | KG32A T204/GBA330 FT2 | |

If black/silver handle is required then change the T reference within the part number from 2 to 1 e.g
Part no KG10A T203/04 FT2 becomes KG10A T103/04 FT2 pricing remains the same.

Notes

1) The following auxiliary contacts are provided:-

KG10A 1 n.o. (early break) + 1 n.c.
KG20A, KG32A 2 n.o. (early break)

2) Switched neutral pole is early make/late break

Technical data - Page 40

Connection diagram - Page 41

Dimensions - KG - Page 42

our off-on switch disconnectors offer...

- Φ greater air and creepage distances
- Φ positive contact movement during making and breaking operations
- Φ excellent making and breaking capabilities by low dimensions
- Φ high short circuit withstand capability
- Φ optional cam-operated auxiliary contacts

Front Panel Mounting

Main/Emergency-Off Switch - 3 & 4 Pole Front Panel Mounting Four Hole Fixing Handle 20A to 315A

IP RATING IP66/67 front protection

HANDLE OPTION Red & yellow padlockable handle

KG10A to KG160



KG210 to KG315



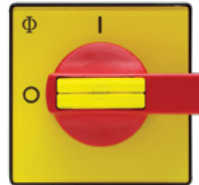
black & silver option available
(black & grey depending on type)

FRONT PLATE SIZE KG10A to KG32A: 48mm x 48mm
KG41B to KG105: 64mm x 64mm
KG125 to KG315: 88mm x 88mm

FEATURES fingerproof terminals (KG10A to KG64B)

incoming terminal cover - KG80 to KG315
(KG210 to KG315 incl.outgoing cover)

variations on auxiliaries available plus add-on auxiliary blocks (see page 39)



<<back to index>>

| Without Auxiliaries | le AC-21A | 3 Pole | 4 Pole (3ph + Sw N ³) |
|---------------------|------------------------------|------------------------------|-----------------------------------|
| | 20A | KG10A T203/01 E | KG10A T204/01 E |
| 25A | KG20A T203/01 E | KG20A T204/01 E | |
| 32A | KG32A T203/01 E | KG32A T204/01 E | |
| 40A | KG41B T203/GBA306 E | KG41B T204/01 E | |
| 63A | KG64B T203/GBA306 E | KG64B T204/01 E | |
| 80A | KG80 T203/GBA306 E | KG80 T204/01 E | |
| 100A | KG100 T203/GBA306 E | KG100 T204/01 E | |
| 125A | KG105 T203/GBA306 E | KG105 T204/01 E | |
| 125A | KG125 ² T203/01 E | KG125 ² T204/01 E | |
| 160A | KG160 T203/01 E | KG160 T204/01 E | |
| 200A | KG210 T203/05 E | KG210 T204/05 E | |
| 250A | KG250 T203/05 E | KG250 T204/05 E | |
| 315A | KG315 T203/05 E | KG315 T204/05 E | |

If black/silver handle is required then change the T reference within the part number from 2 to 1 e.g

Part no KG10A T203/04 FT2 becomes KG10A T103/04 FT2 pricing remains the same.

Notes

1) The following auxiliary contacts are provided:-

KG10A 1 n.o. (early break) + 1 n.c.
KG20A to KG105 2 n.o. (early break)
KG125 - KG315 2 n.o. (early break) + 2 n.c

2) Suitable for applications requiring larger cable termination

3) Switched neutral pole is early make/late break

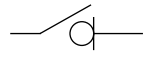
| With Auxiliaries ¹ | le AC-21A | 3 Pole + Aux | 4 Pole (3ph + Sw N ³) + Aux |
|-------------------------------|----------------------------------|----------------------------------|---|
| | 20A | KG10A T203/GBA315 E | KG10A T204/GBA415 E |
| 25A | KG20A T203/GBA315 E | KG20A T204/GBA415 E | |
| 32A | KG32A T203/GBA315 E | KG32A T204/GBA415 E | |
| 40A | KG41B T203/GBA353 E | KG41B T204/GBA426 E | |
| 63A | KG64B T203/GBA353 E | KG64B T204/GBA426 E | |
| 80A | KG80 T203/GBA353 E | KG80 T204/GBA426 E | |
| 100A | KG100 T203/GBA353 E | KG100 T204/GBA426 E | |
| 125A | KG105 T203/GBA353 E | KG105 T204/GBA426 E | |
| 125A | KG125 ² T203/GBA368 E | KG125 ² T204/GBA045 E | |
| 160A | KG160 T203/GBA025 E | KG160 T204/GBA045 E | |
| 200A | KG210 T203/GBA025 E | KG210 T204/GBA035 E | |
| 250A | KG250 T203/GBA025 E | KG250 T204/GBA035 E | |
| 315A | KG315 T203/GBA025 E | KG315 T204/GBA035 E | |

Technical data - Page 40

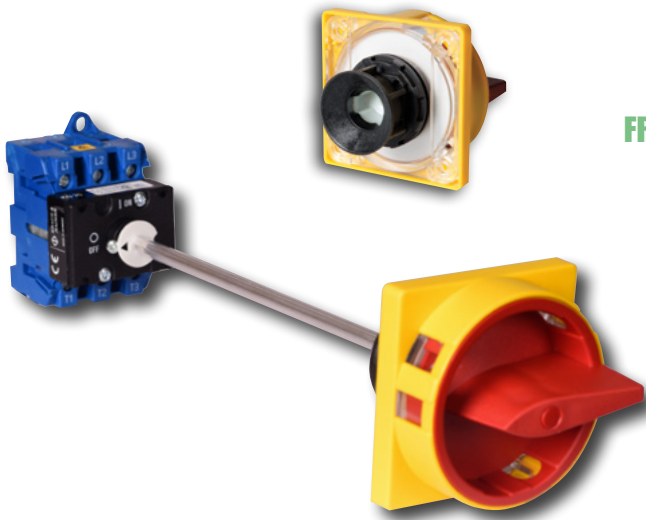
Connection diagram - Page 41

Dimensions - KG - Page 42

OFF-ON ~ SWITCH DISCONNECTORS



Main/Emergency-Off Switch - 3 ,4 & 6 Pole
Base Mounting Single Hole Fixing Handle 20A to 125A



- IP RATING** IP66 front protection
- HANDLE OPTION** Red & yellow padlockable handle or black & silver option available (black & grey depending on type)
- FRONT PLATE SIZE** KG10A to KG32A: 48mm x 48mm
KG41B to KG105: 64mm x 64mm
- FEATURES** door interlock
adjustable metal operating shaft 200mm long, switches with alternative shaft lengths available on request
fingerproof terminals -KG10A to KG64B
incoming terminal cover -KG80 to KG105
variations on auxiliaries available plus add-on auxiliary blocks (see page 39)
suitable for DIN rail mounting

| Without Auxiliaries | le AC-21A | 3 Pole | 3 Pole + Solid Neutral | 4 Pole (3ph + Sw N ²) | 6 Pole |
|----------------------------|-----------|----------------------|------------------------|-----------------------------------|----------------------|
| | 20A | KG10A T203/GBA352 VE | | KG10A T204/GBA237 VE | |
| | 25A | KG20A T203/GBA352 VE | KG20A T207/GBA220 VE | KG20A T204/GBA237 VE | KG20B T206/GBA230 VE |
| | 32A | KG32A T203/GBA352 VE | KG32A T207/GBA220 VE | KG32A T204/GBA237 VE | KG32B T206/GBA230 VE |
| | 40A | KG41B T203/GBA452 VE | KG41B T207/GBA240 VE | KG41B T204/GBA447 VE | KG41B T206/GBA410 VE |
| | 63A | KG64B T203/GBA452 VE | KG64B T207/GBA240 VE | KG64B T204/GBA447 VE | KG64B T206/GBA410 VE |
| | 80A | KG80 T203/GBA452 VE | KG80 T207/GBA240 VE | KG80 T204/GBA447 VE | KG80 T206/GBA410 VE |
| | 100A | KG100 T203/GBA452 VE | KG100 T207/GBA240 VE | KG100 T204/GBA447 VE | KG100 T206/GBA410 VE |
| | 125A | KG105 T203/GBA452 VE | KG105 T207/GBA240 VE | KG105 T204/GBA447 VE | KG105 T206/GBA410 VE |

| With Auxiliaries¹ | le AC-21A | 3 Pole | 3 Pole + Solid Neutral | 4 Pole (3ph + Sw N ²) | 6 Pole |
|-------------------------------------|-----------|----------------------|------------------------|-----------------------------------|----------------------|
| | 20A | KG10A T203/GBA372 VE | | KG10A T204/GBA247 VE | |
| | 25A | KG20A T203/GBA372 VE | KG20A T207/GBA225 VE | KG20A T204/GBA247 VE | KG20B T206/GBA236 VE |
| | 32A | KG32A T203/GBA372 VE | KG32A T207/GBA225 VE | KG32A T204/GBA247 VE | KG32B T206/GBA228 VE |
| | 40A | KG41B T203/GBA462 VE | KG41B T207/GBA245 VE | KG41B T204/GBA457 VE | KG41B T206/GBA415 VE |
| | 63A | KG64B T203/GBA462 VE | KG64B T207/GBA245 VE | KG64B T204/GBA457 VE | KG64B T206/GBA415 VE |
| | 80A | KG80 T203/GBA462 VE | KG80 T207/GBA245 VE | KG80 T204/GBA457 VE | KG80 T206/GBA415 VE |
| | 100A | KG100 T203/GBA462 VE | KG100 T207/GBA245 VE | KG100 T204/GBA457 VE | KG100 T206/GBA415 VE |
| | 125A | KG105 T203/GBA462 VE | KG105 T207/GBA245 VE | KG105 T204/GBA457 VE | KG105 T206/GBA415 VE |

If black/silver handle is required (pricing remains the same) simply change the T reference within the part number from 2 to 1
e.g. Part no KG10A T207/04 FT2 becomes KG10A T107/04 FT2

Notes

1) The following auxiliary contacts are provided:-
KG10A 1 n.o. (early break) + 1 n.c.
KG20A to KG105 2 n.o. (early break)

2) Switched neutral pole is early make/
late break

Technical data - Page 40

Connection diagram - Page 41

Dimensions - KG - Page 43-44

Base Mounting

Main/Emergency-Off Switch - 3, 4 & 6 Pole
Base Mounting Four Hole Fixing Handle 20A to 315A

IP RATING IP66/67 front protection

HANDLE OPTION red & yellow padlockable handle, black & silver option available (black & grey depending on type)

KG10A to KG160 

KG210 to KG315 

FRONT PLATE SIZE KG10A to KG32A: 48mm x 48mm
KG20B to KG105: 64mm x 64mm
KG125 to KG315: 88mm x 88mm

FEATURES door interlock

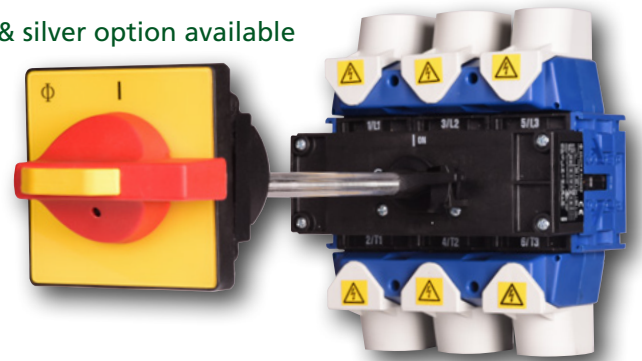
adjustable metal operating shaft 200mm long (KG125 to KG315 300mm long),
switches with alternative shaft lengths available on request

fingerproof terminals (KG10A to KG64B)

incoming terminal cover - KG80 to KG315 (KG210 to KG315 incl.outgoing cover)

variations on auxiliaries available plus add-on auxiliary blocks (see page 39)

suitable for DIN rail mounting - up to KG105



<<back to index>>

| Without Auxiliaries | le AC-21A | 3 Pole | | 3 Pole + Solid Neutral | | 4 Pole (3ph + Sw N ³) | | 6 Pole | |
|---------------------|----------------------|-----------------------------------|----------------------|-----------------------------------|----------------------|-----------------------------------|--|-----------------------------------|--|
| | 20A | KG10A T203/GBA430 VE | | | | KG10A T204/GBA450 VE | | | |
| | 25A | KG20A T203/GBA430 VE | | KG20A T207/GBA140 VE | | KG20A T204/GBA450 VE | | KG20B T206/GBA221 VE | |
| | 32A | KG32A T203/GBA430 VE | | KG32A T207/GBA140 VE | | KG32A T204/GBA450 VE | | KG32B T206/GBA221 VE | |
| | 40A | KG41B T203/GBA430 VE | | KG41B T207/GBA140 VE | | KG41B T204/GBA450 VE | | KG41B T206/GBA221 VE | |
| | 63A | KG64B T203/GBA430 VE | | KG64B T207/GBA140 VE | | KG64B T204/GBA450 VE | | KG64B T206/GBA221 VE | |
| | 80A | KG80 T203/GBA430 VE | | KG80 T207/GBA140 VE | | KG80 T204/GBA450 VE | | KG80 T206/GBA221 VE | |
| | 100A | KG100 T203/GBA430 VE | | KG100 T207/GBA140 VE | | KG100 T204/GBA450 VE | | KG100 T206/GBA221 VE | |
| | 125A | KG105 T203/GBA430 VE | | KG105 T207/GBA140 VE | | KG105 T204/GBA450 VE | | KG105 T206/GBA221 VE | |
| | 125A | KG125 ² T203/GBA050 VE | | KG125 ² T207/GBA151 VE | | KG125 ² T204/GBA100 VE | | KG125 ² T206/GBA061 VE | |
| | 160A | KG160 T203/GBA050 VE | | KG160 T207/GBA151 VE | | KG160 T204/GBA100 VE | | KG160 T206/GBA061 VE | |
| | 200A | KG210 T203/GBA015 VE | | KG210 T207/GBA156 VE | | KG210 T204/GBA020 VE | | | |
| | 250A | KG250 T203/GBA015 VE | | KG250 T207/GBA156 VE | | KG250 T204/GBA020 VE | | | |
| 315A | KG315 T203/GBA015 VE | | KG315 T207/GBA157 VE | | KG315 T204/GBA020 VE | | | | |

| With Auxiliaries ¹ | le AC-21A | 3 Pole | | 3 Pole + Solid Neutral | | 4 Pole (3ph + Sw N ³) | | 6 Pole | |
|-------------------------------|----------------------|-----------------------------------|----------------------|-----------------------------------|----------------------|-----------------------------------|--|-----------------------------------|--|
| | 20A | KG10A T203/GBA435 VE | | | | KG10A T204/GBA455 VE | | | |
| | 25A | KG20A T203/GBA435 VE | | KG20A T207/GBA145 VE | | KG20A T204/GBA455 VE | | KG20B T206/GBA225 VE | |
| | 32A | KG32A T203/GBA435 VE | | KG32A T207/GBA145 VE | | KG32A T204/GBA455 VE | | KG32B T206/GBA225 VE | |
| | 40A | KG41B T203/GBA435 VE | | KG41B T207/GBA145 VE | | KG41B T204/GBA455 VE | | KG41B T206/GBA225 VE | |
| | 63A | KG64B T203/GBA435 VE | | KG64B T207/GBA145 VE | | KG64B T204/GBA455 VE | | KG64B T206/GBA225 VE | |
| | 80A | KG80 T203/GBA435 VE | | KG80 T207/GBA145 VE | | KG80 T204/GBA455 VE | | KG80 T206/GBA225 VE | |
| | 100A | KG100 T203/GBA435 VE | | KG100 T207/GBA145 VE | | KG100 T204/GBA455 VE | | KG100 T206/GBA225 VE | |
| | 125A | KG105 T203/GBA435 VE | | KG105 T207/GBA145 VE | | KG105 T204/GBA455 VE | | KG105 T206/GBA225 VE | |
| | 125A | KG125 ² T203/GBA055 VE | | KG125 ² T207/GBA150 VE | | KG125 ² T204/GBA105 VE | | KG125 ² T206/GBA070 VE | |
| | 160A | KG160 T203/GBA055 VE | | KG160 T207/GBA150 VE | | KG160 T204/GBA105 VE | | KG160 T206/GBA070 VE | |
| | 200A | KG210 T203/GBA030 VE | | KG210 T207/GBA155 VE | | KG210 T204/GBA040 VE | | | |
| | 250A | KG250 T203/GBA030 VE | | KG250 T207/GBA155 VE | | KG250 T204/GBA040 VE | | | |
| 315A | KG315 T203/GBA030 VE | | KG315 T207/GBA155 VE | | KG315 T204/GBA040 VE | | | | |

Notes

1) The following auxiliary contacts are provided:-
 KG10A 1 n.o. (early break) + 1 n.c.
 KG20A to KG105 2 n.o. (early break)
 KG125 to KG315 2 n.o. (early break) + 2 n.c

2) Suitable for applications requiring larger cable termination than KG105
 3) Switched neutral pole is early make/late break

Technical data - Page 40

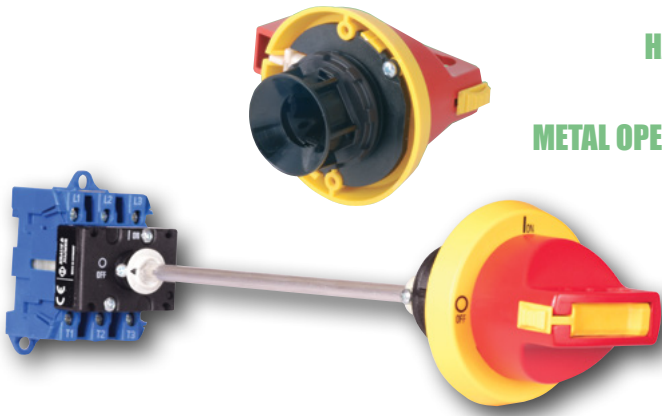
Connection diagram - Page 41

Dimensions - KG - Page 43-44

OFF-ON ~ SWITCH DISCONNECTORS



Main/Emergency-Off Switch With Defeatable Door Interlock- 3 & 4 Pole
Base Mounting Single Hole Fixing Handle 25A - 160A



IP RATING

IP66/67 front protection

HANDLE OPTION

red & yellow padlockable handle or black & silver option available

METAL OPERATING SHAFT

KG20B to KG105: 200mm long
KG125 to KG160: 300mm long

FEATURES

alternative shaft lengths available on request
fingerproof terminals -KG20B to KG4B
incoming terminal cover -KG80 to KG160
suitable for DIN rail mounting up to KG105
variations on auxiliaries available plus add-on auxiliary blocks (see page 39)

| Without Auxiliaries | le AC-21A | 3 Pole | 4 Pole (3ph + Sw N ²) |
|---------------------|-------------------|----------------------|-----------------------------------|
| | 25A | KG20B T203/GBA340 VE | KG20B T204/GBA350 VE |
| | 32A | KG32B T203/GBA340 VE | KG32B T204/GBA350 VE |
| | 40A | KG41B T203/GBA370 VE | KG41B T204/GBA380 VE |
| | 63A | KG64B T203/GBA370 VE | KG64B T204/GBA380 VE |
| | 80A | KG80 T203/GBA370 VE | KG80 T204/GBA380 VE |
| | 100A | KG100 T203/GBA370 VE | KG100 T204/GBA380 VE |
| | 125A | KG105 T203/GBA370 VE | KG105 T204/GBA380 VE |
| | 125A ³ | KG125 T203/GBA180 VE | KG125 T204/GBA190 VE |
| | 160A | KG160 T203/GBA180 VE | KG160 T204/GBA190 VE |

When required for maintenance purposes, qualified personnel can defeat the door interlock and enable the panel door to be opened whilst the switch is in the 'ON' position.

Door clutch will accept 3mm misalignment between switch shaft and door mounted handle.

In normal operation the switch handle is padlockable in the OFF position only and interlocked with the shaft in the ON position to prevent opening of the panel door. Shaft and handle are also interlocked in the OFF position if a padlock is fitted to the handle with the panel door closed.

If black/silver handle is required (pricing remains the same) simply change the T reference within the part number from 2 to 1
e.g Part no KG10A T207/04 FT2 becomes KG10A T107/04 FT2

| With Auxiliaries ¹ | le AC-21A | 3 Pole | 4 Pole (3ph + Sw N ²) |
|-------------------------------|-------------------|----------------------|-----------------------------------|
| | 25A | KG20B T203/GBA345 VE | KG20B T204/GBA355 VE |
| | 32A | KG32B T203/GBA345 VE | KG32B T204/GBA355 VE |
| | 40A | KG41B T203/GBA375 VE | KG41B T204/GBA385 VE |
| | 63A | KG64B T203/GBA375 VE | KG64B T204/GBA385 VE |
| | 80A | KG80 T203/GBA375 VE | KG80 T204/GBA385 VE |
| | 100A | KG100 T203/GBA375 VE | KG100 T204/GBA385 VE |
| | 125A | KG105 T203/GBA375 VE | KG105 T204/GBA385 VE |
| | 125A ³ | KG125 T203/GBA185 VE | KG125 T204/GBA195 VE |
| | 160A | KG160 T203/GBA185 VE | KG160 T204/GBA195 VE |

Notes

- 1) The following auxiliary contacts are provided:-
 - KG10A 1 n.o. (early break) + 1 n.c.
 - KG20A to KG105 2 n.o. (early break)
- 2) Switched neutral pole is early make/late break
- 3) Suitable for applications requiring larger cable terminations than KG105

- Technical data - Page 40
- Connection diagram - Page 41
- Dimensions - KG - Page 43

Base Mounting - Defeatable Door Interlock

Main/Emergency-Off Switch With Defeatable Door Interlock- 3 , 4 & 6 Pole
Base Mounting Four Hole Fixing Handle 40A - 315A

IP RATING IP66 front protection

HANDLE OPTION red & yellow padlockable handle or black & silver option available

METAL OPERATING SHAFT KG41B to KG105: 200mm long
KG125 to KG315: 300mm long

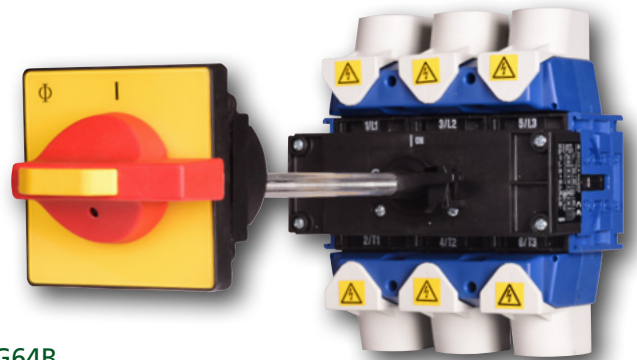
FEATURES alternative shaft lengths available on request

fingerproof terminals -KG41B to KG64B

incoming terminal cover -KG80 to KG315 (KG210 to KG315 also incl. outgoing cover)

suitable for DIN rail mounting up to KG105

variations on auxiliaries available plus add-on auxiliary blocks (see page 39)



[<<back to index>>](#)

| Without Auxiliaries | le AC-21A | 3 Pole | 4 Pole (3ph + Sw N ²) | 6 Pole |
|---------------------|----------------------|----------------------|-----------------------------------|----------------------|
| | 40A | KG41B T203/GBA330 VE | KG41B T204/GBA060 VE | KG41B T206/GBA121 VE |
| | 63A | KG64B T203/GBA330 VE | KG64B T204/GBA060 VE | KG64B T206/GBA121 VE |
| | 80A | KG80 T203/GBA330 VE | KG80 T204/GBA060 VE | KG80 T206/GBA121 VE |
| | 100A | KG100 T203/GBA330 VE | KG100 T204/GBA060 VE | KG100 T206/GBA121 VE |
| | 125A | KG105 T203/GBA330 VE | KG105 T204/GBA060 VE | KG105 T206/GBA121 VE |
| | 125A ³ | KG125 T203/GBA080 VE | KG125 T204/GBA090 VE | KG125 T206/GBA104 VE |
| | 160A | KG160 T203/GBA080 VE | KG160 T204/GBA090 VE | KG160 T206/GBA104 VE |
| | 200A | KG210 T203/GBA080 VE | KG210 T204/GBA090 VE | |
| | 250A | KG250 T203/GBA080 VE | KG250 T204/GBA090 VE | |
| 315A | KG315 T203/GBA080 VE | KG315 T204/GBA090 VE | | |

When required for maintenance purposes, qualified personnel can defeat the door interlock and enable the panel door to be opened whilst the switch is in the 'ON' position.

Door clutch will accept 3mm misalignment between switch shaft and door mounted handle.

In normal operation the switch handle is padlockable in the OFF position only and interlocked with the shaft in the ON position to prevent opening of the panel door. Shaft and handle are also interlocked in the OFF position if a padlock is fitted to the handle with the panel door closed.

If black/silver handle is required (pricing remains the same) simply change the T reference within the part number from 2 to 1
e.g Part no KG10A T207/04 FT2 becomes KG10A T107/04 FT2

| With Auxiliaries ¹ | le AC-21A | 3 Pole | 4 Pole (3ph + Sw N ¹) | 6 Pole |
|-------------------------------|----------------------|----------------------|-----------------------------------|----------------------|
| | 40A | KG41B T203/GBA335 VE | KG41B T204/GBA065 VE | KG41B T206/GBA125 VE |
| | 63A | KG64B T203/GBA335 VE | KG64B T204/GBA065 VE | KG64B T206/GBA125 VE |
| | 80A | KG80 T203/GBA335 VE | KG80 T204/GBA065 VE | KG80 T206/GBA125 VE |
| | 100A | KG100 T203/GBA335 VE | KG100 T204/GBA065 VE | KG100 T206/GBA125 VE |
| | 125A | KG105 T203/GBA335 VE | KG105 T204/GBA065 VE | KG105 T206/GBA125 VE |
| | 125A ³ | KG125 T203/GBA085 VE | KG125 T204/GBA095 VE | KG125 T206/GBA105 VE |
| | 160A | KG160 T203/GBA085 VE | KG160 T204/GBA095 VE | KG160 T206/GBA105 VE |
| | 200A | KG210 T203/GBA085 VE | KG210 T204/GBA095 VE | |
| | 250A | KG250 T203/GBA085 VE | KG250 T204/GBA095 VE | |
| 315A | KG315 T203/GBA085 VE | KG315 T204/GBA095 VE | | |

Notes

1) The following auxiliary contacts are provided:-

KG10A 1 n.o. (early break) + 1 n.c.
KG20A to KG105 2 n.o. (early break)
KG125 to KG 315 2 n.o. (early break) + 2 n.c.

Technical data - Page 40

Connection diagram - Page 41

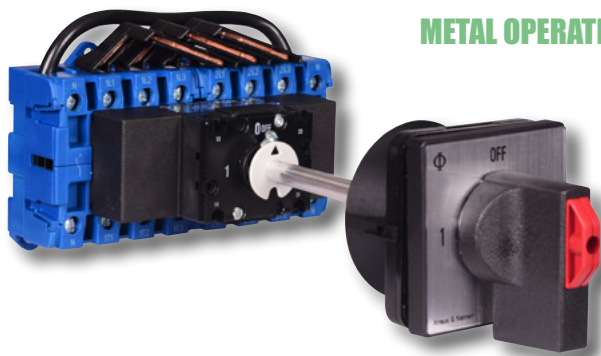
Dimensions - KG - Page 43

2) Switched neutral pole is early make/late break

3) Suitable for applications requiring larger cable terminations than KG105

CHANGEOVER ~ SWITCH DISCONNECTORS

Changeover Switch, Centre Off - 2, 3 & 4 pole Base Mounting 4 Hole Fixing Handle



IP RATING
HANDLE OPTION
FRONT PLATE SIZE

IP66/67 front protection
black/silver padlockable handle
KH16 to KH85: 64mm x 64mm
KG20B to KG64B: 64mm x 64mm
KG80 to KG160 88mm x 88mm

METAL OPERATING SHAFT

– 120mm long KH16 to KH25, KG20B & KG32B
– 130mm long KH32 to KH85, KG41B to KG105
– 190mm long KG125 & KG160

FEATURES

door interlock
alternative shaft lengths available
fingerproof terminals -KH16 to KH40
-KG20B to KG64B
incoming terminal cover -KG80 to KG105
suitable for DIN rail mounting up to KG105 and all KH switches

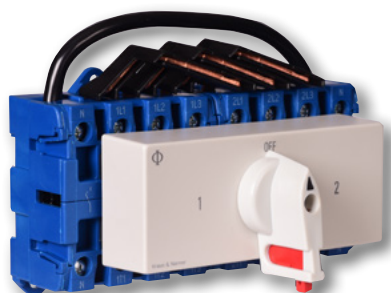
| Ie AC-21A | 2 Pole | 3 Pole + aux ¹⁾ | 4 Pole (3ph + Sw N ²⁾ + aux ¹⁾ |
|--------------------|---------------------|------------------------------------|--|
| 16A | KH16 T902/GBA005 VE | | |
| 20A | KH20 T902/GBA005 VE | | |
| 25A | KH25 T902/GBA005 VE | KG20B T903/GBA005 VE | KG20B T904/GBA006 VE |
| 32A | KH32 T902/GBA005 VE | KG32B T903/GBA005 VE | KG32B T904/GBA006 VE |
| 40A | KH40 T902/GBA005 VE | KG41B T903/GBA005 VE | KG41B T904/GBA006 VE |
| 63A | KH63 T902/GBA005 VE | KG64B T903/GBA005 VE | KG64B T904/GBA006 VE |
| 80A | KH80 T902/GBA005 VE | KG80 T903/GBA005 VE | KG80 T904/GBA006 VE |
| 100A | KH85 T902/GBA005 VE | KG100 T903/GBA005 VE | KG100 T904/GBA006 VE |
| 125A | | KG105 T903/GBA005 VE | KG105 T904/GBA006 VE |
| 125A ³⁾ | | KG125 ³⁾ T903/GBA010 VE | KG125 ³⁾ T904/GBA020 VE |
| 160A | | KG160 T903/GBA010 VE | KG160 T904/GBA020 VE |

Technical data - Page 40
Connection diagram - Page 41
Dimensions – KG - Page 45
– KH - page 47

Notes

- 1) 2-off volt-free, early break, auxiliary contacts are provided. One of these contacts closes in position 1 and the other contact closes in position 2. Both of the contacts are open in the Off position.
- 2) Switched neutral pole is early make/late break
- 3) Suitable for applications requiring larger cable terminations than KG105

Changeover Switch, Centre Off 2 & 4 pole - Base Mounting



HANDLE OPTION
FRONT PLATE
FEATURES

grey, padlockable in OFF position
grey with "1 - OFF - 2" Legend
escutcheon suitable for 45mm cut out
fingerproof terminals - KH16 to KH40
- KG41B & KG64B
suitable for DIN rail mounting

| Ie AC-21A | 2 Pole | 4 Pole (3ph + Sw N ¹⁾) |
|-----------|----------------------|------------------------------------|
| 16A | KH16 T902/GBA011 VE2 | |
| 20A | KH20 T902/GBA011 VE2 | |
| 25A | KH25 T902/GBA011 VE2 | |
| 32A | KH32 T902/GBA011 VE2 | |
| 40A | KH40 T902/GBA011 VE2 | KG41B T904/GBA035 VE2 |
| 63A | KH63 T902/GBA011 VE2 | KG64B T904/GBA035 VE2 |
| 80A | KH80 T902/GBA011 VE2 | KG80 T904/GBA035 VE2 |
| 100A | KH85 T902/GBA011 VE2 | KG100 T904/GBA035 VE2 |
| 125A | | KG105 T904/GBA035 VE2 |

Technical data - Page 40
Connection diagram - Page 41
Dimensions – KG - Page 46
– KH - page 47

Notes

- 1) Switched neutral pole is early make/late break.

Side Mounted Earth Terminal



| Switch Type | Order Code No. | |
|----------------------------|----------------|--|
| KG20A, KG32A, KG20B, KG32B | K0 H052/A | |
| KG41B, KG64B | K1 H052/B | |
| KG80 - KG105 | K2 H052/C | |

Side Mounted Neutral Terminal (Fully Rated)



| Switch Type | Order Code No. | |
|----------------------------|----------------|--|
| KG20A, KG32A, KG20B, KG32B | K0 H053/A | |
| KG41B, KG64B | K1 H053/B | |
| KG80 - KG105 | K2 H053/C | |

Side Mounted Auxiliary Contacts

[<<back to index>>](#)



KG switches are also available with a variety of factory fitted auxiliary contacts. Please enquire for details.

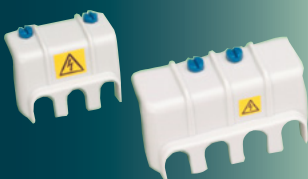
| Switch Type | Contact Arrangements | Contact Rating | | Order Code No. | |
|----------------------------------|----------------------|----------------|------------------|-----------------|--|
| | | AC-21A | AC-15 @ 110-240V | | |
| Panel Mounting E & FT | | | | | |
| KG20A, KG32A | 1 n.o. + 1 n.c. | 10A | 2.5A | K0 H010/A11-E | |
| KG41B, KG64B | 1 n.o. + 1 n.c. | 16A | 6A | K1 H010/A11-E | |
| KG80 - KG105 | 1 n.o. + 1 n.c. | 16A | 6A | K2 H010/A11-E | |
| KG125, KG160 | 2 n.o. + 1 n.c. | 16A | 6A | K3A H010/A21-E | |
| KG210 - KG315 | 2 n.o. + 1 n.c. | 16A | 6A | K3 H010/A21-E | |
| Base Mounting VE | | | | | |
| KG20A, KG20B, KG32A, KG32B | 1 n.o. + 1 n.c. | 10A | 2.5A | K0 H010/A11-VE | |
| KG41B, KG64B | 1 n.o. + 1 n.c. | 16A | 6A | K1 H010/A11-VE | |
| KG80 - KG105 | 1 n.o. + 1 n.c. | 16A | 6A | K2 H010/A11-VE | |
| KG125 - KG160 | 2 n.o. + 1 n.c. | 16A | 6A | K3A H010/A21-VE | |
| KG210 - KG315 | 2 n.o. + 1 n.c. | 16A | 6A | K3 H010/A21-VE | |

Mounting Tool



| Switch Type | Order Code No. | |
|------------------------------------|----------------|--|
| For single hole mounting operators | S00 T170 09 | |

Terminal Covers



| Switch Type | Order Code No. 3 main terminals | | Order Code No. 4 main terminals | |
|-----------------|---------------------------------|------|---------------------------------|--|
| KG10A | S0 M160/A12 K2 | 4.47 | S0 M160/A12 K2 | |
| KG20A&B/KG32A&B | K0 M160/3 | 1.79 | K0 M160/4 | |
| KG41B/KG64B | K1 M160/3 | 2.24 | K1 M160/4 | |
| KG80/KG105 | K2 M160/3 | 3.12 | K2 M160/4 | |
| KG125/KG160 | K3 M160/32 | 5.37 | K3 M160/42 | |
| KG210/KG315 | K3 M160/30 | 8.72 | K3 M160/40 | |
| KH32/KH40 | | | K1 M160/45 VE ¹⁾ | |
| KH63/KH85 | | | K1 M160/44 VE ¹⁾ | |

Notes

1) Suffix VE is applicable for base mounting switches only

TECHNICAL DATA

Switch Disconnectors

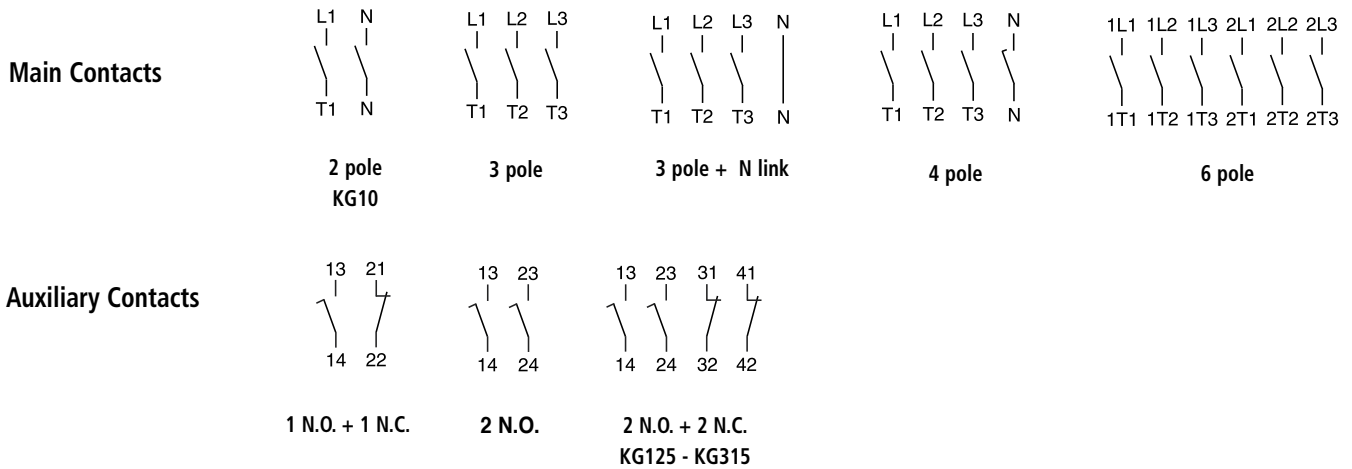
| Switch Type | Thermal Rating | Insulation Voltage, U _i | Rated Operating Current & Power | | | | | | | | Short Circuit Protection | Terminal Capacity | | | | |
|---|----------------|------------------------------------|-------------------------------------|----------|----------|------------------|--------------------|--------------------|----------|--------------------|--------------------------|-----------------------|--------------------------------|--------------------------------|----------------------------------|-----------------|
| | | | Operational Current, I _e | | | | Operational Power | | | | | Max. fuse gU/gG char. | Single core/ stranded wire. | Flexible wire, with sleeve. | Terminal bolt for Cu bar/lug. | |
| Open rating | | | AC-15 | | AC-21A | AC-3 | | AC-23A | | A | mm ² | | | | | mm ² |
| A | V | | 110v | 220-240v | 380-440v | 690v | 220-240v, 1 ph. | 220-240v 3, ph. | 380-440v | 220-240v, 1 ph. | 220-240v 3 ph. | 380-440v | | | | |
| Switch-disconnectors - selection data in accordance with: IEC 60947, IEC 60204, BS EN 60947, BS EN 60204 | | | | | | | | | | | | | | | | |
| KG10 | 20 | 690 | - | - | - | 20 | 1.1 | 2.2 | 3.7 | 1.5 | 3 | 5.5 | 20 | 2.5 | 1.5 | - |
| KG20 | 25 | 690 | - | - | - | 25 | 1.5 | 4 | 5.5 | 2.2 | 5.5 | 7.5 | 35 | 6 | 4 | - |
| KG32 | 32 | 690 | - | - | - | 32 | 2.2 | 5.5 | 7.5 | 3 | 5.5 | 11 | 35 | 6 | 4 | - |
| KG41 | 40 | 690 | - | - | - | 40 | 3 | 7.5 | 11 | 4 | 7.5 | 15 | 50 | 16 | 10 | - |
| KG64 | 63 | 690 | - | - | - | 63 | 4 | 11 | 18.5 | 5.5 | 11 | 22 | 63 | 16 | 10 | - |
| KG80 | 80 | 690 | - | - | - | 80 | 7.5 | 15 | 22 | 10 | 18.5 | 30 | 80 | 50 | 35 | - |
| KG100 | 100 | 690 | - | - | - | 100 | 8.5 | 18.5 | 30 | 11 | 22 | 37 | 100 | 50 | 35 | - |
| KG105 | 125 | 690 | - | - | - | 125 | - | 22 | 37 | - | 25 | 45 | 125 | 50 | 35 | - |
| KG125 | 125 | 1000 ¹⁾ | - | - | - | 125 | - | 22 | 37 | - | 30 | 45 | 125 | 95 | 70 | - |
| KG160 | 160 | 1000 ¹⁾ | - | - | - | 160 | - | 30 | 45 | - | 30 | 55 | 160 | 95 | 70 | - |
| KG210 | 200 | 1000 ¹⁾ | - | - | - | 200 | - | 37 | 55 | - | 37 | 75 | 200 | 185 | 120 | - |
| KG250 | 250 | 1000 ¹⁾ | - | - | - | 250 | - | 37 | 55 | - | 37 | 90 | 250 | 185 | 120 | - |
| KG315 | 315 | 1000 ¹⁾ | - | - | - | 315 | - | 45 | 75 | - | 55 | 110 | 315 | 185 | 120 | - |
| KH16 | 16 | 800 ¹⁾ | - | - | - | 16 | 1.5 | 3 | 5.5 | 2 | 4.5 | 7.5 | 25 | 6 | 4 | - |
| KH20 | 20 | 800 ¹⁾ | - | - | - | 20 | 2 | 3.5 | 6.5 | 2.5 | 5.5 | 10 | 32 | 6 | 4 | - |
| KH25 | 25 | 800 ¹⁾ | - | - | - | 25 | 2.5 | 4 | 7.5 | 3.3 | 7 | 12 | 35 | 6 | 4 | - |
| KH32 | 32 | 800 ¹⁾ | - | - | - | 32 | 3 | 5.5 | 11 | 4.2 | 9 | 16 | 35 | 10 | 6 | - |
| KH40 | 40 | 800 ¹⁾ | - | - | - | 40 | 4.5 | 7.5 | 15 | 5.5 | 11 | 20 | 50 | 10 | 6 | - |
| KH63 | 63 | 1000 ¹⁾ | - | - | - | 63 | 7.5 | 11 | 22 | 8.5 | 18.5 | 30 | 80 | 35 | 25 | - |
| KH80 | 80 | 1000 ¹⁾ | - | - | - | 80 | 10 | 15 | 30 | 11 | 23 | 40 | 100 | 35 | 25 | - |
| KH85 | 100 | 1000 ¹⁾ | - | - | - | 100 | 10 | - | - | 11 | - | - | 100 | 35 | 25 | - |
| Auxiliary contacts - selection data in accordance with: IEC 60947, BS EN 60947. | | | | | | | | | | | | | | | | |
| KG10 | 20 | 690 | 6 | 6 | 4 | 20 | - | - | - | - | - | - | 20 | 2.5 | 2.5 | - |
| KG20 & KG32 | 10 | 500 | 2.5 | 2.5 | 1.5 | 10 ²⁾ | - | - | - | - | - | - | 10 | 1.5 | 1.5 | - |
| KG41 - KG105 | 16 | 690 | 6 | 6 | 3 | 16 | - | - | - | - | - | - | 16 | 2.5 | 2.5 | - |
| KG125 - KG315 | 16 | 690 | 6 | 6 | 3 | 16 | - | - | - | - | - | - | 16 | 2.5 | 2.5 | - |

Switch Selection – Common Rating Data and Utilization Categories

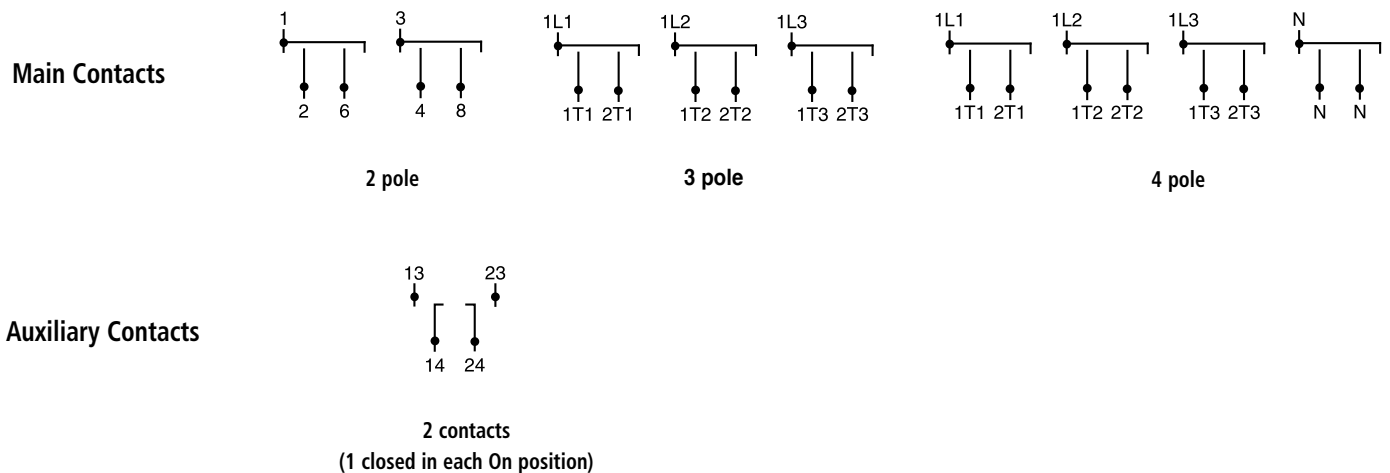
| Switch Rating or Utilization Category | Description |
|--|--|
| Rated insulation voltage, U _i | Maximum value of operational voltage |
| Thermal current, I _{th} | Maximum value of current that the switch can carry (not switch) when mounted in free air Max. ambient air temperature for stated value:- KG/KH switches : +50°C average over 24 hours with peaks up to 55°C |
| AC-3 | For the selection of switches used for starting of squirrel cage motors and switching off during running |
| AC-15 | For selection of switches to be used for the control of an a.c. electromagnetic load, e.g. contactor coils |
| AC-21A | For selection of switches required for switching of resistive loads, including moderate overloads |
| AC-23A | For selection of switches required for switching motor loads or other highly inductive loads |
| | Normal selection criteria for emergency-off switches for motors and switches used for safety isolation of motors (switch-disconnectors) such as Off/On, main or main/emergency-off switches. |

Notes: 1) Only valid for no-load switching (AC-20A) above 690v.
2) Max 500v

Off - On

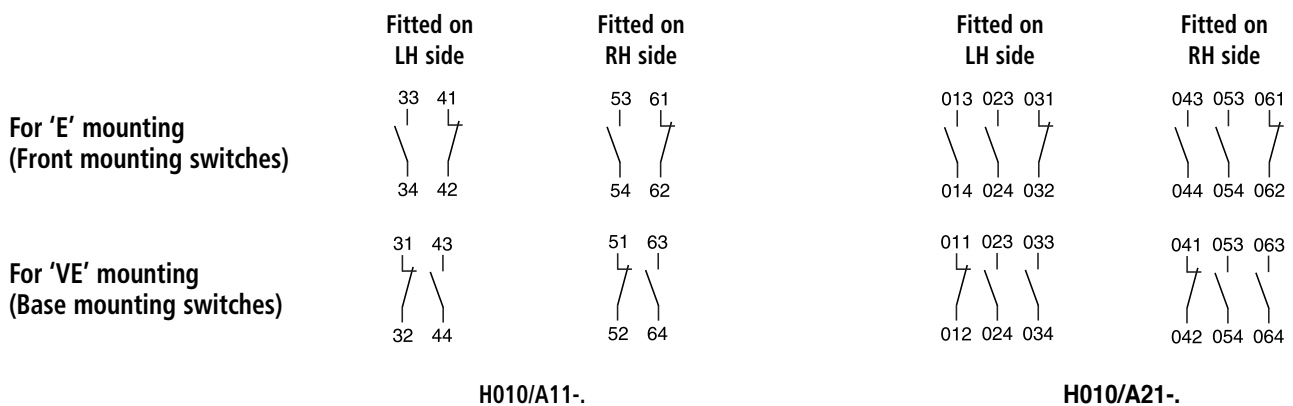


Changeover with Centre Off



[<<back to index>>](#)

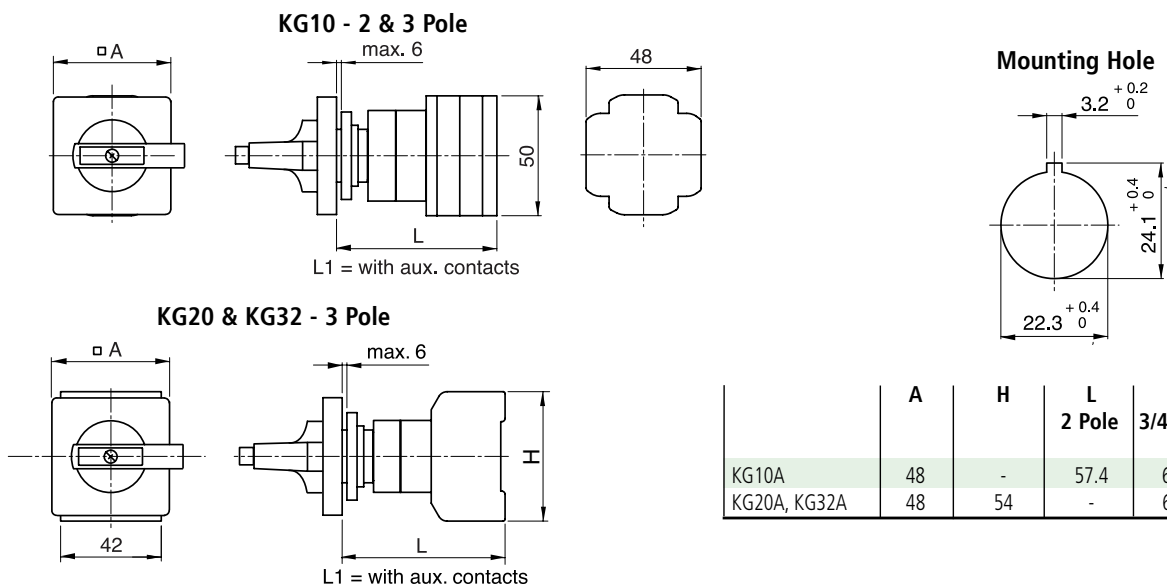
Side Mounting Auxiliary Contacts



Dimensions (mm)

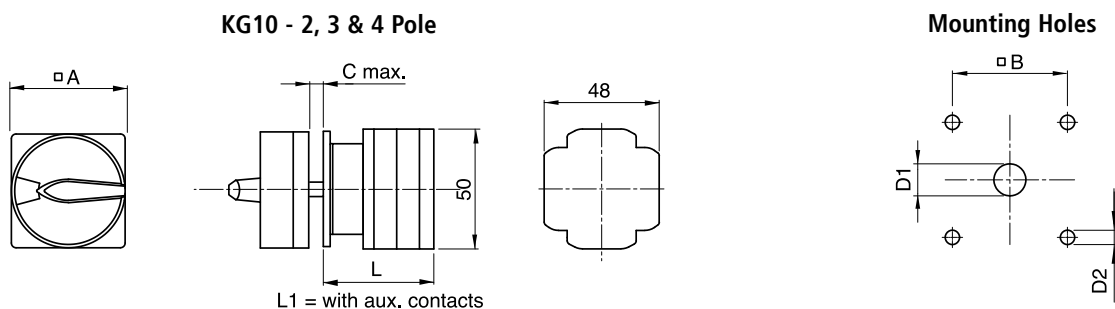
KG Main/Emergency-off switches

Front Panel Mounting - Single Hole Fixing

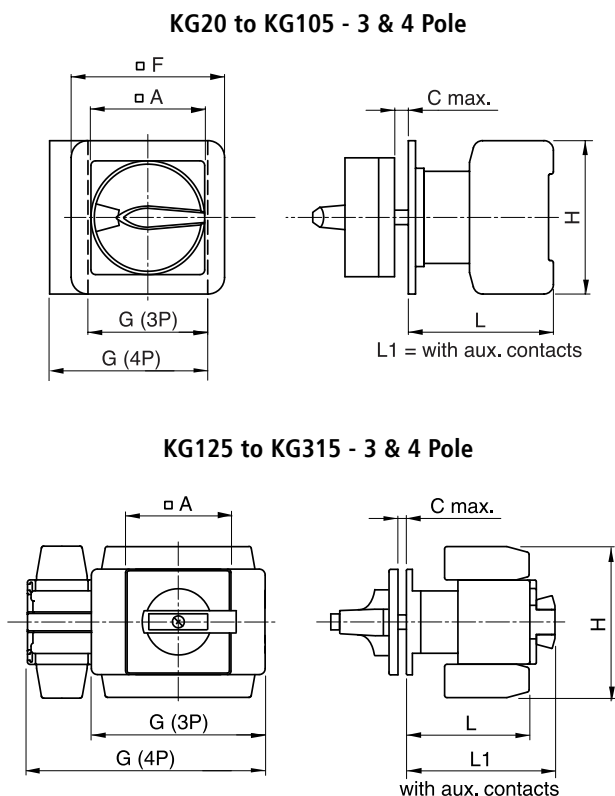


| | A | H | L 2 Pole | L 3/4 Pole | L1 3/4 Pole |
|--------------|----|----|-------------|---------------|----------------|
| KG10A | 48 | - | 57.4 | 66.9 | 76.4 |
| KG20A, KG32A | 48 | 54 | - | 68.3 | 77.3 |

Front Panel Mounting - 4 Hole Fixing



| | A | B | C | D1 | D2 | F |
|---------------------|----|----|-----|---------|----|----|
| KG10A | 48 | 36 | 4 | 11 - 15 | 5 | - |
| KG20A, KG32A | 48 | 36 | 4 | 10 - 15 | 5 | 48 |
| KG41B, KG64B | 64 | 48 | 4 | 10 - 15 | 5 | 64 |
| KG80, KG100, KG105 | 64 | 48 | 4 | 10 - 15 | 5 | 70 |
| KG125, KG160 | 88 | 68 | 5.5 | 13 - 17 | 6 | - |
| KG210, KG250, KG315 | 88 | 68 | 5.5 | 13 - 17 | 6 | - |



| | G 3 Pole | G 4 Pole | H | L | L1 |
|---------------------|-------------|-------------|-----|------|------|
| KG10A - 2 pole | - | - | - | 38.7 | - |
| KG10A - 3/4 pole | - | - | - | 48.2 | 57.7 |
| KG20A, KG32A | 42 | 55.5 | 54 | 53.8 | 62.8 |
| KG41B, KG64B | 50 | 66 | 64 | 60.5 | 70.5 |
| KG80, KG100 | 70 | 92 | 80 | 70.6 | 80.6 |
| KG105 | 70 | 92 | 80 | 70.6 | 80.6 |
| KG125, KG160 | 112 | 150 | 108 | 96 | 117 |
| KG210, KG250, KG315 | 145 | 197.5 | 126 | 103 | 124 |

'H' dimension does not include the terminal covers. To obtain the dimension across the terminal cover(s) add the following to dimension 'H'.

KG80/100/105: add 26 mm on side that cover is fitted.

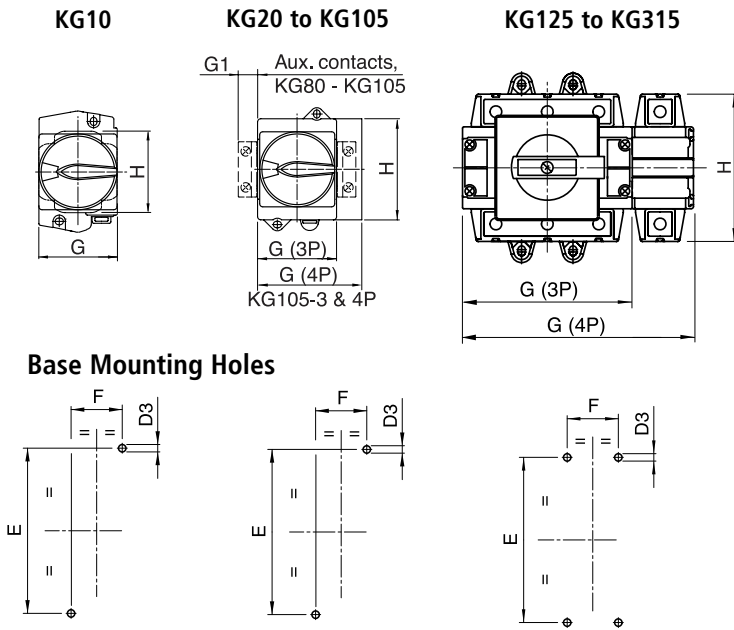
KG125/160: add 22.5 mm on side that cover is fitted

KG210/250/315: add 50 mm to 'H' dimension

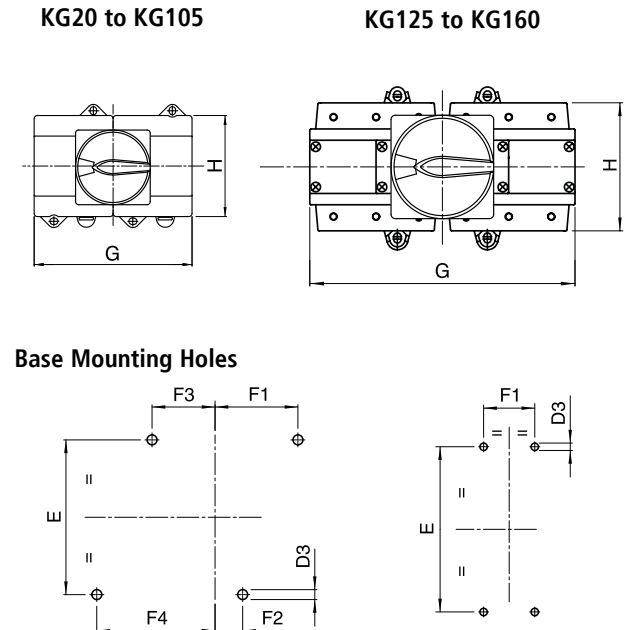
Factory fitted auxiliary contacts are integral with the main switch body – they are not side mounting type.

Base Mounting with Door Interlock

3, 3 + N & 4 Pole - plan view



6 Pole - plan view



| | D3 | E | F | F1 | F2 | F3 | F4 | G 3 Pole | G 3 Pole+N | G 4 Pole | G 6 Pole | G1 | H |
|----------------------|-----|-----|----|------|------|------|------|-------------|---------------|-------------|-------------|------|-----|
| KG10A & B | 5 | 60 | 22 | - | - | - | - | 48 | - | 48 | - | - | 50 |
| KG20A & B, KG32A & B | 5 | 60 | 22 | 32 | 10 | 10 | 32 | 42 | 55.5 | 55.5 | 84 | - | 54 |
| KG41B, KG64B | 5 | 70 | 25 | 37.5 | 12.5 | 12.5 | 37.5 | 50 | 66 | 66 | 100 | - | 64 |
| KG80, KG100 | 6 | 90 | 25 | 47.5 | 22.5 | 22.5 | 47.5 | 70 | 92 | 92 | 140 | 12.2 | 80 |
| KG105 | 6 | 90 | 25 | - | - | - | - | 70 | 92 | 92 | 140 | 12.2 | 80 |
| KG125, KG160 | 6.4 | 120 | 36 | 76 | - | - | - | 112 | - | 150 | 224 | - | 108 |
| KG210, KG250, KG315 | 6.4 | 142 | 44 | - | - | - | - | 145 | - | 197.5 | - | - | 126 |

'H' dimension does not include the terminal covers. To obtain the dimension across the terminal cover(s) add the following to dimension 'H'.

KG80/100/105: add 26 mm on side that cover is fitted.

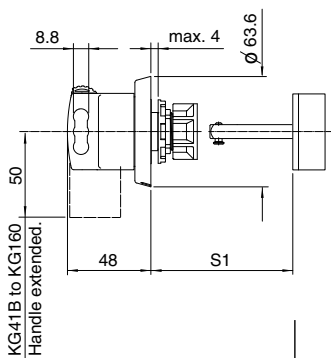
KG125/160: add 22.5 mm on side that cover is fitted

KG210/250/315: add 50 mm to 'H' dimension

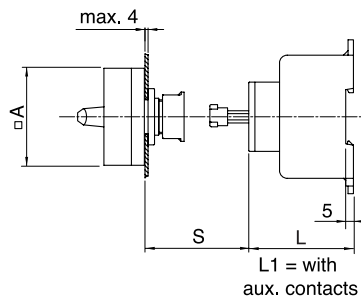
Factory fitted auxiliary contacts are integral with the main switch body – they are not side mounting type.

Note: Handle styles vary - see relevant catalogue section for handle style used.

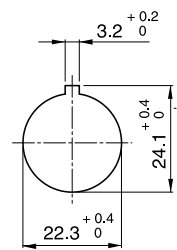
Defeatable Door Interlock, Single Hole Fixing. 3 & 4 Pole Switches



Door Interlock, Single Hole Fixing. 3, 3+N, 4 & 6 Pole KG10 to KG105



Handle Mounting Hole



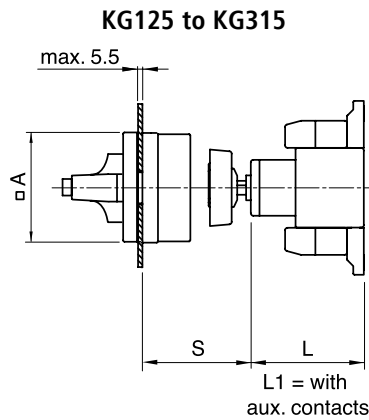
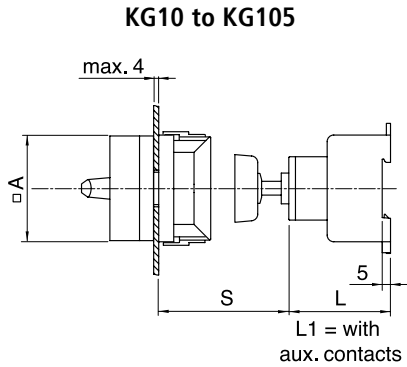
| | A | L 3/4 Pole | L1 3/4 Pole | S | S1 3/4 pole | L 6 Pole | L1 6 Pole | S 6 Pole |
|--------------------|----|---------------|----------------|--------|----------------|-------------|--------------|-------------|
| KG10A | 48 | 49.2 | 58.7 | 31-191 | - | - | - | - |
| KG20A, KG32A | 48 | 50 | 59 | 31-196 | - | - | - | - |
| KG20B, KG32B | 64 | 50 | 59 | - | 47-202mm | 57.5 | 66.5 | 31-199 |
| KG41B, KG64B | 64 | 61 | 71 | 31-192 | 31-202mm | 67 | 77 | 31-193 |
| KG80, KG100, KG105 | 64 | 68 | 78 | 32-189 | 32-202mm | 79.2 | 89.2 | 32-189 |
| KG125, KG160 | - | 91 | 91 | - | 34-263mm | - | - | - |

Dimensions (mm)

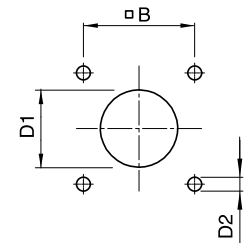
KG Main/Emergency-off switches

Base Mounting with Door Interlock, Continued

Door Interlock, 4 Hole Fixing. 3, 4 & 6 Pole Switches - side view.

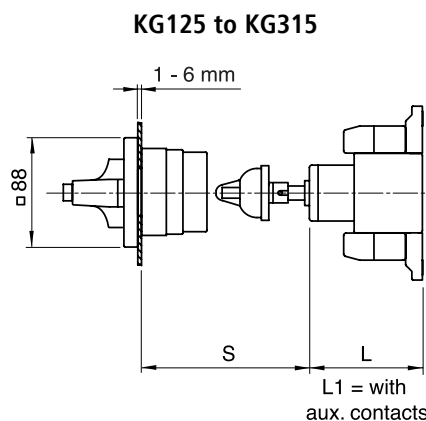
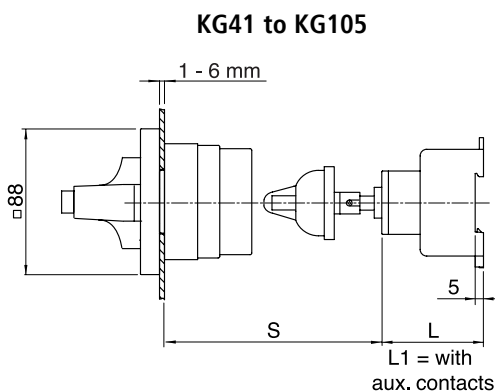


Handle Mounting Holes

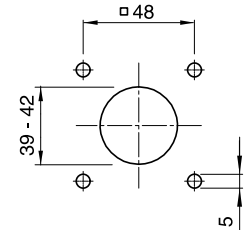


| | Shaft Length | A | B | D1 | D2 | 3/4 Pole & 3 Pole + N | | | 6 Pole | | |
|---------------------|--------------|----|----|-------|----|-----------------------|------|--------|--------|------|--------|
| | | | | | | L | L1 | S | L | L1 | S |
| KG10A | 200 | 48 | 36 | 18-22 | 5 | 49.2 | 58.7 | 37-197 | - | - | - |
| KG20A, KG32A | 200 | 48 | 36 | 18-22 | 5 | 50 | 59 | 37-202 | - | - | - |
| KG20B, KG32B | 200 | 64 | 48 | 19-22 | 5 | - | - | - | 57.5 | 66.5 | 37-205 |
| KG41B, KG64B | 200 | 64 | 48 | 19-22 | 5 | 61 | 71 | 35-200 | 67 | 77 | 35-201 |
| KG80, KG100, KG105 | 200 | 64 | 48 | 19-22 | 5 | 68 | 78 | 36-197 | 79.2 | 89.2 | 36-197 |
| KG125, KG160 | 300 | 88 | 68 | 26-30 | 6 | 91 | 91 | 45-306 | 93 | 93 | 45-306 |
| KG210, KG250, KG315 | 300 | 88 | 68 | 26-30 | 6 | 98 | 98 | 45-306 | - | - | - |

Defeatable Door Interlock, 4 Hole Fixing. 3, 4 & 6 Pole Switches - side view.



Handle Mounting Holes



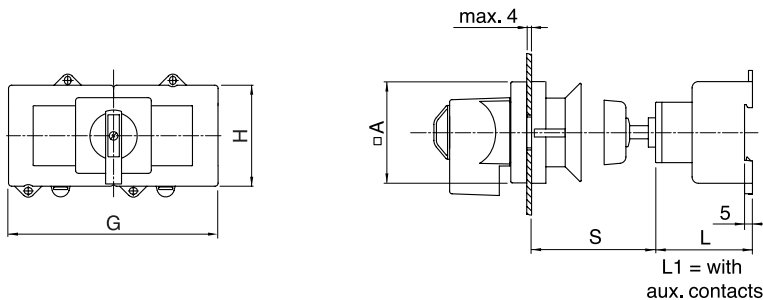
| | L 3/4 Pole | L1 3/4 Pole | S 3/4 Pole | L 6 Pole | L1 6 Pole | S 6 Pole |
|---------------------|---------------|----------------|---------------|-------------|--------------|-------------|
| KG41B, KG64B | 61 | 71 | 72-224 | 67 | 77 | 72-225 |
| KG80, KG100, KG105 | 68 | 78 | 73-221 | 79.2 | 89.2 | 73-221 |
| KG125, KG160 | 91 | 91 | 83-336 | 93 | 93 | 83-336 |
| KG210, KG250, KG315 | 98 | 98 | 83-336 | - | - | - |

Dimensions (mm)

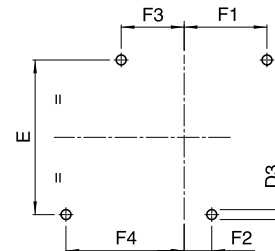
KG Changeover switches

Base Mounting with Door Interlock, 4 Hole Fixing

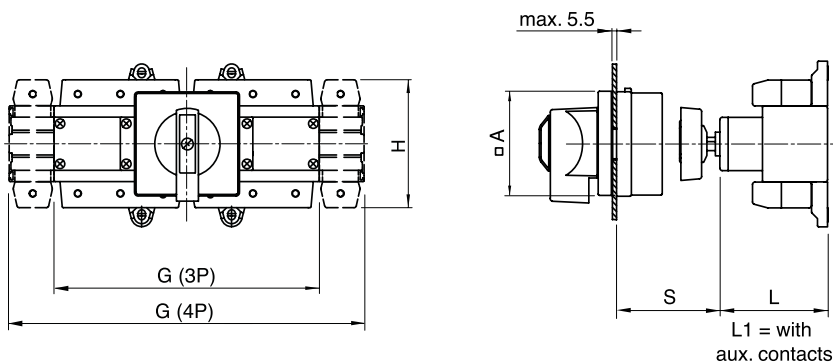
KG20 to KG105 - 3 & 4 Pole



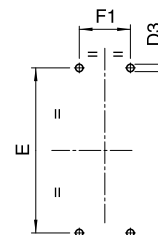
Base Mounting Holes



KG125 to KG160 - 3 & 4 Pole

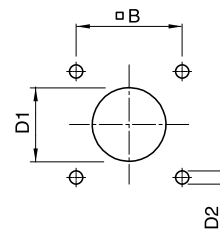


Base Mounting Holes



[<<back to index>>](#)

Handle Mounting Holes



| | A | B | D1 | D2 | D3 | E | F1 | F2 | F3 3 Pole |
|--------------|----|----|---------|----|-----|-----|------|------|--------------|
| KG20B, KG32B | 64 | 48 | 19 - 22 | 5 | 5 | 60 | 32 | 10 | 10 |
| KG41B, KG64B | 64 | 48 | 19 - 22 | 5 | 5 | 70 | 37.5 | 12.5 | 12.5 |
| KG80, KG100 | 88 | 48 | 19 - 22 | 5 | 6 | 90 | 47.5 | 22.5 | 22.5 |
| KG105 | 88 | 48 | 19 - 22 | 5 | 6 | 90 | 47.5 | 22.5 | - |
| KG125, KG160 | 88 | 68 | 26 - 30 | 6 | 6.4 | 120 | 76 | - | - |

| | F4 3 Pole | F3 4 Pole | F4 4 Pole | G 3 Pole | G 4 Pole | H | L | L1 | S |
|--------------|--------------|--------------|--------------|-------------|-------------|-----|------|------|--------|
| KG20B, KG32B | 32 | 23.5 | 45.5 | 84 | 111 | 54 | 57.5 | 66.5 | 37-125 |
| KG41B, KG64B | 37.5 | 28.5 | 53.5 | 100 | 132 | 64 | 67 | 77 | 35-131 |
| KG80, KG100 | 47.5 | 44.5 | 69.5 | 140 | 184 | 80 | 79.2 | 89.2 | 36-127 |
| KG105 | - | 44.5 | 69.5 | 140 | 184 | 80 | 79.2 | 89.2 | 36-127 |
| KG125, KG160 | - | - | - | 224 | 300 | 108 | 93 | 93 | 45-196 |

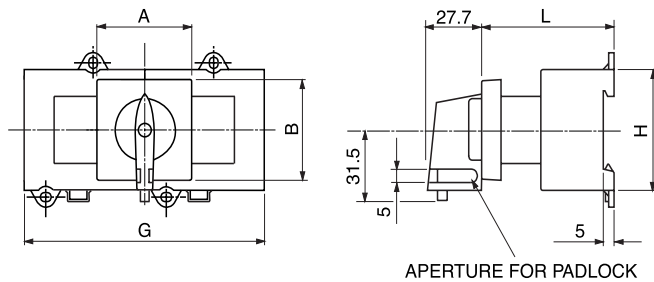
Factory fitted auxiliary contacts are integral with the main switch body – they are not side mounting type.

Dimensions (mm)

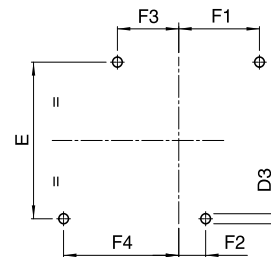
KG Changeover switches

Base Mounting - For 45 mm Installation Cut - Out

KG41 to KG105 - 4 Pole



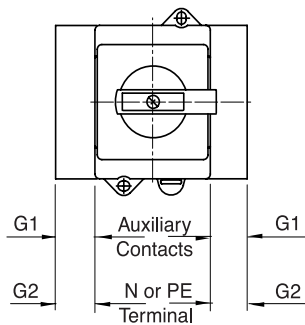
Mounting Holes



| | A | B | D3 | E | F1 | F2 | F3 | F4 | G | H | L |
|--------------------|-------|------|----|----|------|------|------|------|-----|----|------|
| KG41B, KG64B | 105.4 | 45.4 | 5 | 70 | 37.5 | 12.5 | 28.5 | 53.5 | 132 | 64 | 67.5 |
| KG80, KG100, KG105 | 70 | 45 | 6 | 90 | 47.5 | 22.5 | 44.5 | 69.5 | 184 | 80 | 81.2 |

KG Switch options

Side Mounting Modules

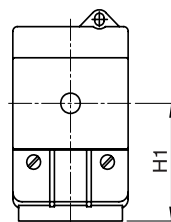


| | G1 | G2 |
|----------------------|----|------|
| KG20A & B, KG32A & B | 10 | 13.5 |
| KG41B, KG64B | 11 | 16 |
| KG80, KG100, KG105 | 11 | 22 |
| KG125, KG160 | 14 | 38 |
| KG210, KG250, KG315 | 14 | 52.5 |

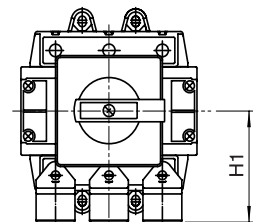
Note:
KG125 to KG315 4 pole switches cannot have additional modules fitted on the side adjacent to the 4th pole (switched neutral).

Terminal Covers

KG10 to KG105



KG125 to KG315



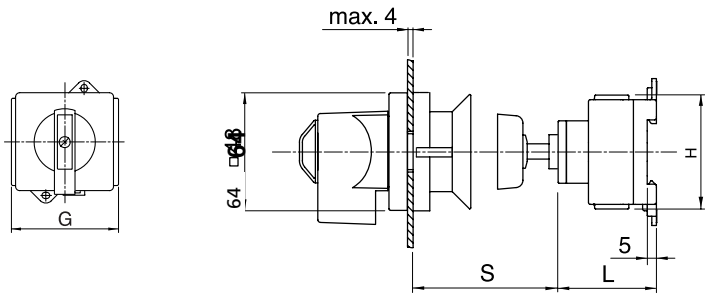
| | H1 |
|----------------------|------|
| KG10A & B | 32 |
| KG20A & B, KG32A & B | 47 |
| KG41B, KG64B | 49 |
| KG80, KG100, KG105 | 66 |
| KG125, KG160 | 76.2 |
| KG210, KG250, KG315 | 88 |

Dimensions (mm)

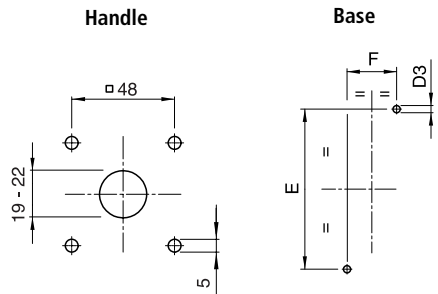
KG Changeover switches

Base Mounting With Door Interlock, 4 Hole Fixing

KH16 to KH85 - 2 Pole



Mounting Holes

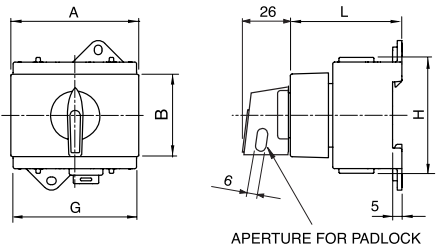


'H' dimension for KH63/80/85 does not include the terminal cover. To obtain the dimension across the terminal cover(s) add 23.5 mm on side that cover is fitted.

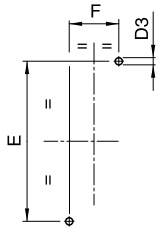
| | D3 | E | F | G | H | L | S |
|------------------|----|----|----|----|----|------|--------|
| KH16, KH20, KH25 | 5 | 60 | 22 | 60 | 56 | 47 | 37-122 |
| KH32, KH40 | 5 | 70 | 25 | 70 | 62 | 53.5 | 39-132 |
| KH63, KH80, KH85 | 6 | 90 | 25 | 86 | 90 | 59.5 | 39-132 |

Base Mounting - For 45 mm Installation Cut-Out

KH16 to KH85 - 2 Pole



Mounting Holes



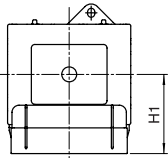
| | A | B | D3 | E |
|------------------|------|------|----|----|
| KH16, KH20, KH25 | 43.7 | 45.4 | 5 | 60 |
| KH32, KH40 | 70.4 | 45.4 | 5 | 70 |
| KH63, KH80, KH85 | 70.4 | 45.4 | 6 | 90 |

| | F | G | H | L |
|------------------|----|----|----|------|
| KH16, KH20, KH25 | 22 | 60 | 56 | 58.5 |
| KH32, KH40 | 25 | 70 | 62 | 59.7 |
| KH63, KH80, KH85 | 25 | 86 | 90 | 66.7 |

[<<back to index>>](#)

KG Switch options

Terminal Covers



| | H1 |
|------------------|------|
| KH32, KH40 | 45 |
| KH63, KH80, KH85 | 68.5 |