

Option selector spare kits

J45S***

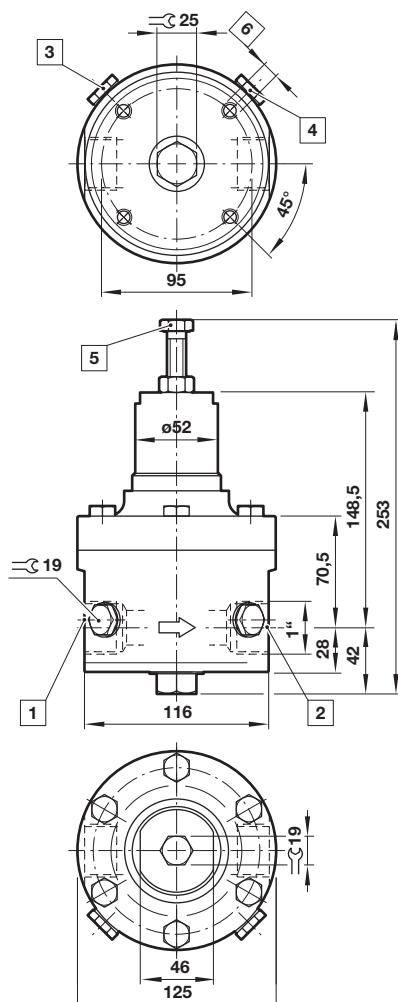
Outlet Pressure	Substitute
0,1 ... 1 barg	F
0,5 ... 5 barg	M
1 ... 11 barg	P
2,8 ... 28 barg	S
7 ... 70 barg	X

Valve assy	Substitute
PCTFE	P
Elastomer	Substitute
NBR	N
FPM	V
EPDM	E

Spares BOM

Description	Material	QTY	Diaphragm option	Piston option
Diaphragm	Rubber	1	X	—
Push rod	BS 3S 145 (normalised)	1	X	X
'O'-Ring	Rubber	1	X	X
Valve assy	Various	1	X	X
'O'-Ring	Rubber	1	X	X
'O'-Ring	Rubber	1	X	X
'O'-Ring	Rubber	1	—	X
'O'-Ring	Rubber	1	—	X

Dimensions



Dimensions in mm
Projection/First angle



- 1 Inlet port
- 2 Outlet port
- 3 Optional gauge port G 1/4 (inlet pressure)
- 4 Optional gauge port G 1/4 (outlet pressure)
- 5 Adjustable screw
- 6 Mounting threads M8 x 10 deep

Warning

Do not use these products where pressures and temperatures can exceed those listed under »**Technical features**«.

Before using these products with fluids other than those specified within published specifications, consult IMI Precision Engineering, Thompson Valves Ltd.

Through misuse, age, or malfunction, components used in fluid power systems can fail in various modes.

The system designer is warned to consider the failure modes of all component parts used in fluid power systems and to provide adequate

safeguards to prevent personal injury or damage to equipment in the event of such failure.

System designers must provide a warning to end users in the system instructional manual if protection against a failure mode cannot be adequately provided.

System designers and end users are cautioned to review specific warnings found in instruction sheets packed and shipped with these products.