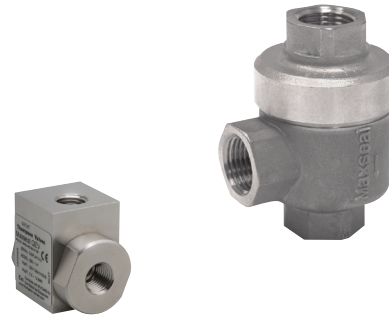


- > **Port size:**
1/4 ... 1 (NPT)
- > **High flow capacity**
- > **A convenient stainless steel exhaust valve for systems handling a variety of gases**
- > **Reliable and long life, ideal for a one time installation**



Technical features

Medium:

Customer to specify and confirm compatibility

Operating pressure:

0,5 ... 12 bar (7 ... 174 psi)

Port size:

Standard: 1/4, 1/2, 3/4 or 1 NPT
 Optional: G1/4, G1/2, G3/4 or G1

Conduit / Signal Conns:

None

Leak Performance:

Bubble tight

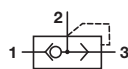
Ambient/Media temperature:

-50°C ... +80°C (-58 ... +176°F)
 Air supply must be dry enough to avoid ice formation at temperatures below +2°C (+35°F).

Materials:

Valve body & trim:
 316L stainless steel
 O-Rings seats & seals: NBR
 Paint finish: stainless steel construction, unpainted

Technical data

Symbol	Port size	Flow factor		Weight (kg)	Model
		Cv *1)	kv *2)		
	1/4 NPT	1,6/2,1	23,2/30,5	0,35	QEV13AA1H00S
	1/2 NPT	6,4/5,5	92,8/79,8	0,55	QEV13AA3H00S
	3/4 NPT	10,4/10,8	149	1,48	QEV13AA5H00S
	1 NPT	10,4/15,4	149	1,48	QEV13AA6H00S

*1) Measured in USgpm for 1 psi Δp

*2) Measured in l/min for 1 bar (15 psi) Δp

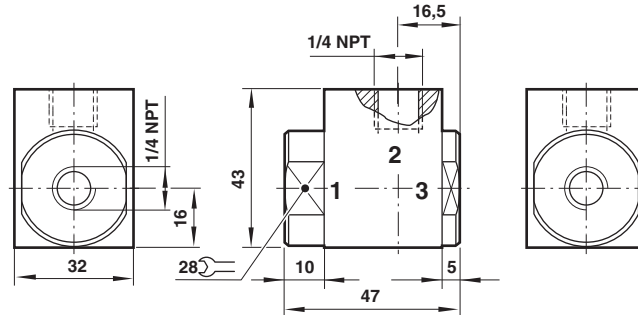
Option selector

QEV13A★★H00S

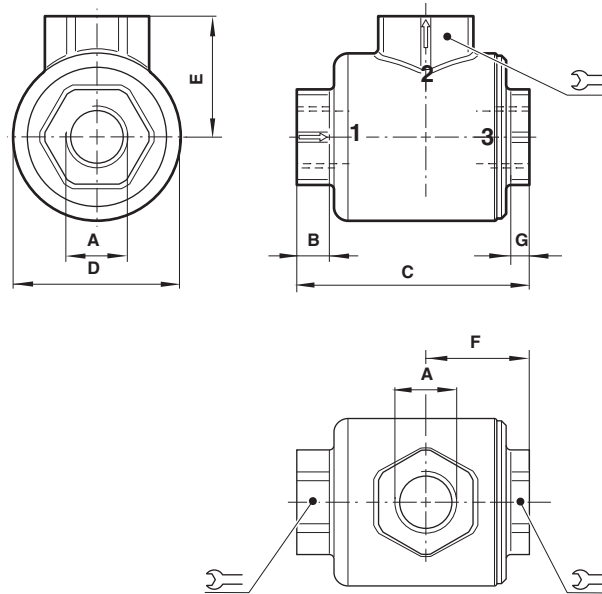
Thread form	Substitute	Port size	Substitute
ISO G, parallel	E	1/4	1
NPT	A	1/2	3
		3/4	5
		1	6

Dimensions
1/4 NPT

Dimensions in mm
Projection/First angle



1/2 ... 1 NPT



A	B	C	Ø D	E	F	G		Model
1/2 NPT	10	78	47	35	32	9	28	QEV13AA3H00S
3/4 NPT	16	100	72	52	44,5	8	41	QEV13AA5H00S
1 NPT	16	100	72	52	44,5	8	41	QEV13AA6H00S

Warning

These products are intended for use in industrial compressed air systems only. Do not use these products where pressures and temperatures can exceed those listed under »**Technical features/data**«.

Before using these products with fluids other than those specified, for non-industrial applications, life-support systems or other applications not within published specifications, consult IMI Precision Engineering, Norgren Ltd.

Through misuse, age, or malfunction, components used in fluid power systems can fail in various modes. The system designer is warned to consider the failure modes of all component parts used in fluid power systems and to provide adequate safeguards to prevent personal injury or damage to equipment in the event of such failure.

System designers must provide a warning to end users in the system instructional manual if protection against a failure mode cannot be adequately provided.

System designers and end users are cautioned to review specific warnings found in instruction sheets packed and shipped with these products.