

- > Port size: Compression Fitting DN 25 ... 40
- > High flow rate
- > Clear, compact design
- > One-piece diaphragm
- > Simple mounting



Technical features

Medium:

Air

Switching function:

Normally closed

Flow direction:

Determined

Mounting position:

Optional

Port size:

DN 25, DN 40

Control port:

G1/8

Operating pressure:

0,4 ... 8 bar (5,8 ... 116 psi)

Dusty gas temperature:

-20° ... +85°C (-4° ... +185°F)

Cleaning gas temperature:

-40° ... +85°C (-40° ... +185°F)

Ambient temperature:

-20° ... +85°C (-4° ... +185°F)

Material:

Body: Aluminium

Seat seal: TPE

Note:

Control via separate pilot valve or pilot controller.

Technical data - standard models

Symbol	Orifice (mm)	Flow kv value *1) (m³/h)	Operating pressure (bar)	Weight (kg)	Model
	25	22	0,4 ... 8	0,7	8364400.0000.00000
	40	59	0,4 ... 8	1,85	8364600.0000.00000

*1) Cv-Wert (US) ≈ Flow kv value x 1,2

Option selector

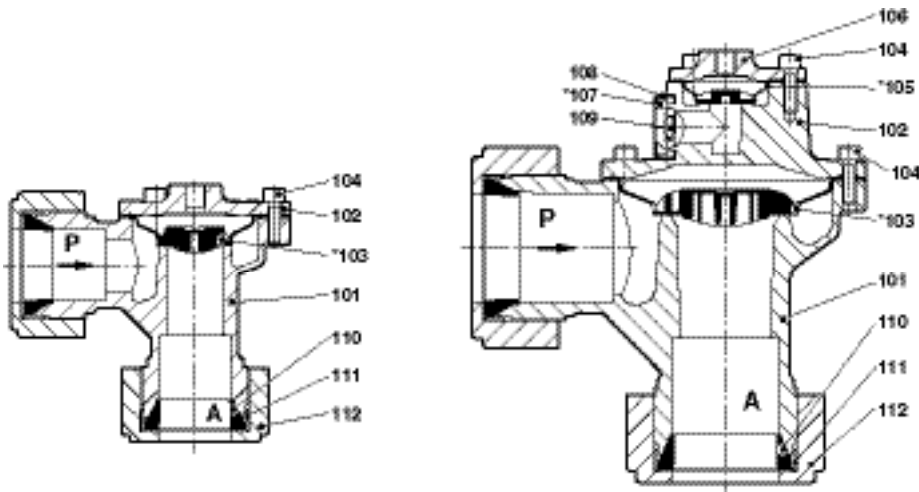
8364***.0000.00000

Port size	Substitute	Valve options	Substitute
25	4	Dusty gas temperature version -20 ... +100°C, Seat seal TPE, Ambient temperature -40 ... +85°C (-40 ... +185°F), Cleaning gas temperature -20 ... +85°C (-4 ... +185°F)	62
40	6	Dusty gas temperature version -20 ... +140°C, Seat seal TPE, Ambient temperature -40 ... +85°C (-40 ... +185°F), Cleaning gas temperature -20 ... +85°C (-4 ... +185°F)	63
		Pilot connection 1/8 NPT	99

Section View

DN 25

DN 40



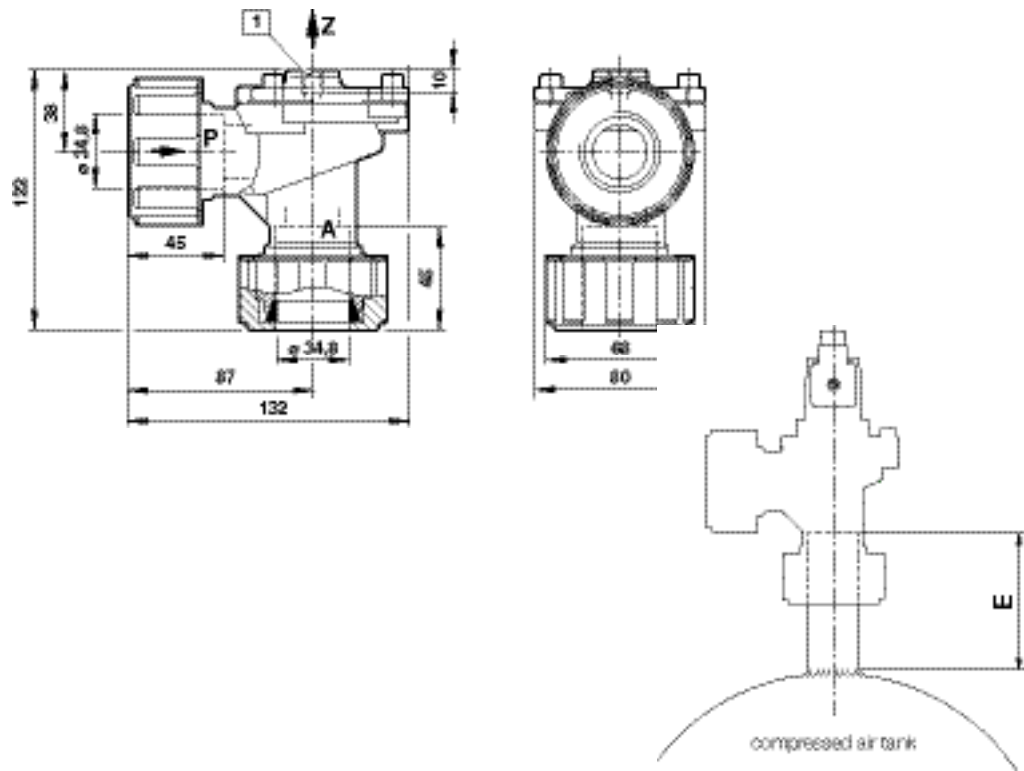
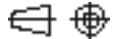
No.	Description
101	Valve body
102	Valve cover
*103	Diaphragm
104	Socket head cap screw
*105	Diaphragm
106	Valve cover
*107	Silencer
108	Silencer housing
109	Socket head cap screw
110	Gasket
111	Gasket socket
112	Retainer nut

* These individual parts form a complete wearing unit.
When ordering spare parts please state Model No. and Series No.

Dimensions

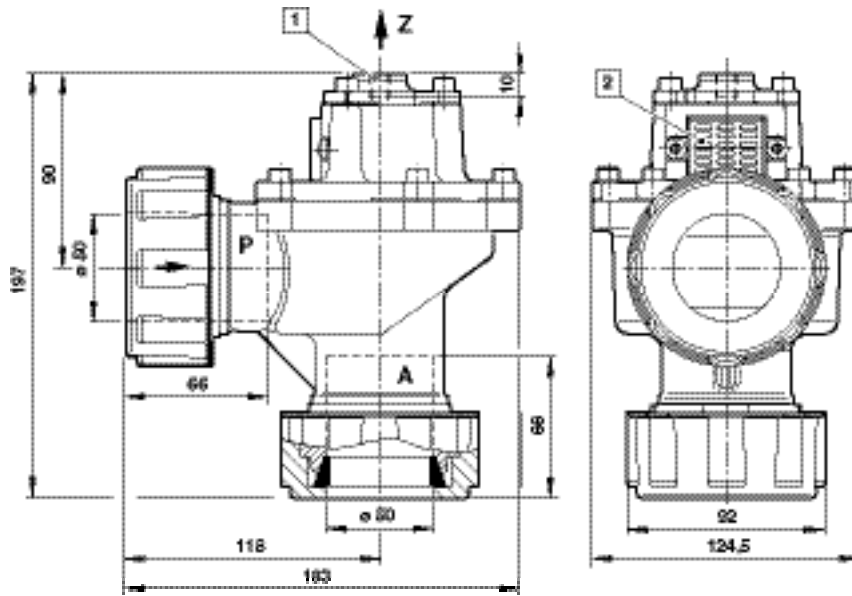
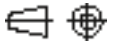
DN 25

Dimensions in mm
Projection/First angle



Orifice (mm)	E
25	59
40	83

DN 40

 Dimensions in mm
 Projection/First angle


- 1 Pilot connection G1/8
- 2 Silencer

Note to Pressure Equipment Directive (PED):

The valves of this series are according to clause 4 § 3 of the Pressure Equipment Directive (PED) 2014/68/EU.

This means interpretation and production are in accordance to engineers practice well-known in the member countries.

A certificate of conformity is not designated.