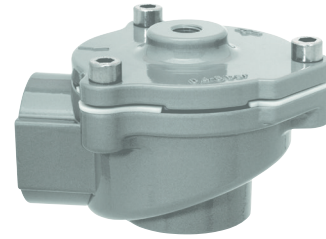


- > Port size: DN 20 ... 40,
G3/4 ... 1 1/2,
3/4 ... 1 1/2 NPT
- > High flow rate
- > Clear, compact design
- > One-piece diaphragm



Stainless Steel



Technical features

Medium:

Air

Switching function:

Normally closed

Operation:

Remote pilot operated

Flow direction:

Determined

Mounting position:

Optional

Port size:

G3/4, G1, G1 1/2, 3/4 NPT,
1 NPT, 1 1/2 NPT

Operating pressure:

0,4 ... 8 bar (5,8 ... 116 psi)

Pilot connection:

G1/8 resp. 1/8 NPT

Dusty gas temperature:

-40° ... +85°C (-40° ... +185°F)

Cleaning gas temperature:

-20° ... +85°C (-4° ... +185°F)

Ambient temperature:

-40° ... +85°C (-40° ... +185°F)

Material:

Body: Stainless steel (1.4408)

Seat seal: TPE

Technical data - standard models

Symbol	Port size	Orifice (mm)	Valve length (mm)	Flow kv value *1) (m³/h)	Operating pressure (bar)	Weight (kg)	Model
	G3/4	20	95	18	0,4 ... 8	0,7	8330300.0000.00000
	3/4 NPT	20	95	18	0,4 ... 8	0,7	8331300.0000.00000
	G1	25	95	22	0,4 ... 8	0,8	8330400.0000.00000
	1 NPT	25	95	22	0,4 ... 8	0,8	8331400.0000.00000
	G1 1/2	40	135	59	0,4 ... 8	2,9	8330600.0000.00000
	1 1/2 NPT	40	135	59	0,4 ... 8	2,9	8331600.0000.00000

*1) Cv-value (US) ≈ kv value x 1,2

Option selector

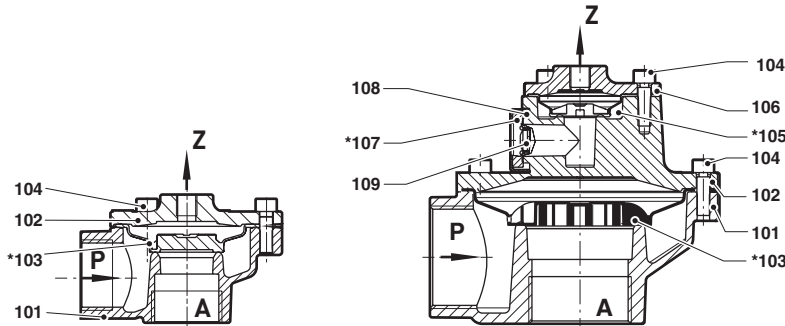
833★★★★.0000.00000

Thread form	Substitute	Valve options	Substitute
ISO G	0	Flange version without valve body	54
NPT	1	Dusty gas temperature version -20 ... +100°C, Seat seal TPE, Ambient temperature -40 ... +85°C (-40 ... +185°F), Cleaning gas temperature -20 ... +85°C (-4 ... +185°F)	62
Port size	Substitute	Dusty gas temperature version -20 ... +140°C, Seat seal TPE, Ambient temperature -40 ... +85°C (-40 ... +185°F), Cleaning gas temperature -20 ... +85°C (-4 ... +185°F)	63
3/4	3		
1	4		
1 1/2	6		

Section View

G3/4 ... 1
3/4 ... 1 NPT

G1 1/2
1 1/2



No.	Description
101	Valve body
102	Valve cover
*103	Diaphragm
104	Socket head cap screw
*105	Diaphragm
106	Valve cover
*107	Silencer
108	Silencer housing
109	Socket head cap screw

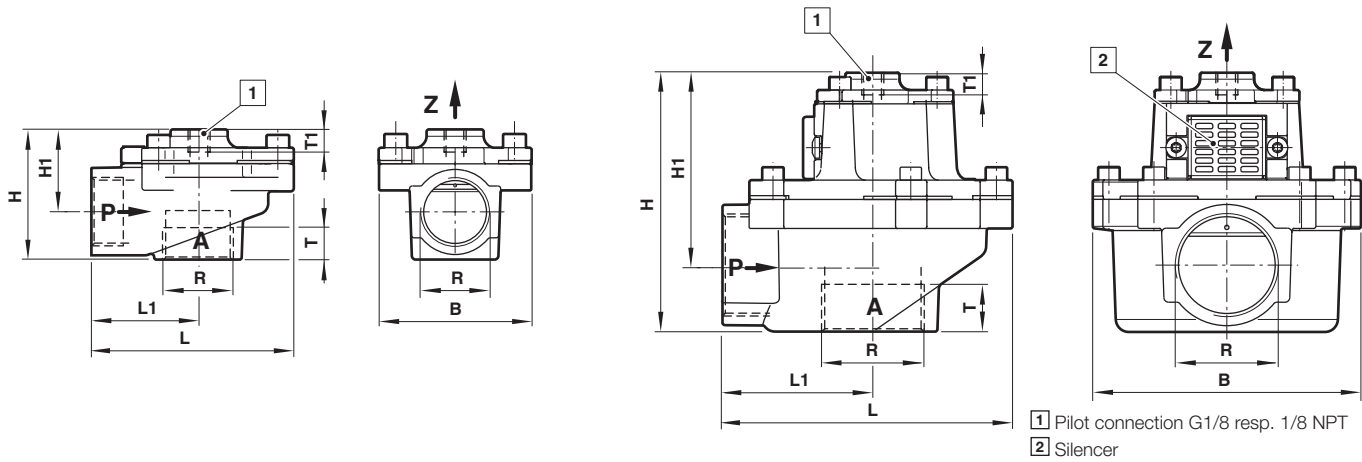
* These individual parts form a complete wearing unit.
When ordering spare parts please state Cat.-No. and series No.

Dimensions

G3/4 ... 1
3/4 ... 1 NPT

G1 1/2
1 1/2 NPT

Dimensions in mm
Projection/First angle



1 Pilot connection G1/8 resp. 1/8 NPT
2 Silencer

Port size R	B	H	H1	L	L1	H	T	T1	Model
G3/4	80	61,5	39	95	50	16	10	8330300.0000.00000	
3/4 NPT	80	61,5	39	95	50	14	10	8331300.0000.00000	
G1	80	61,5	39	95	50	18	10	8330400.0000.00000	
1 NPT	80	61,5	39	95	50	17	10	8331400.0000.00000	
G1 1/2	124,5	122	91	135	70	22	10	8330600.0000.00000	
1 1/2 NPT	124,5	122	91	135	70	18	10	8331600.0000.00000	

Note to Pressure Equipment Directive (PED):

The valves of this series are according to clause 4 § 3 of the Pressure Equipment Directive (PED) 2014/68/EU.

This means interpretation and production are in accordance to engineers practice well-known in the member countries.

A certificate of conformity is not designated.