

- > **Port size:** DN15 ... 50, G1/2 ... 2
- > **EU type examination certificate Product ID-No.:** CE-0085AT0091
- > **Valve class** A Valve group 2
- > **High function reliability**
- > **Short response time < 1 s**
- > **For robust industry applications**
- > **Qualification approval acc. to EN 161/EN 16678**



### Technical features

#### Medium:

Neutral burnable gases and other neutral gases

#### Pilot fluid:

Neutral gases max. +80°C (+176°F)

#### Switching function:

Normally closed

#### Operation:

Pressure actuated by external fluid

#### Mounting position:

Optional

#### Flow direction:

Determined

#### Port size:

G1/2, G3/4, G1, G1 1/4, G1 1/2, G2

#### Pilot connection:

G1/4

#### Operating pressure:

0 ... 10 bar (0 ... 145 psi)  
G2: 0 ... 7 bar (0 ... 102 psi)

#### Pilot pressure:

5 ... 8 bar (72.5 ... 116 psi)  
G1 1/2: 6 ... 8 bar (87 ... 116 psi)  
G2: 6,5 ... 8 bar (94 ... 116 psi)

#### Fluid temperature:

-10° ... +60°C (+14° ... +140°F)

#### Ambient temperature:

-10° ... +60°C (+14° ... +140°F)

#### Material:

#### Process fluid characteristics:

Body: Dezincification Brass (CW617N)  
Seat seal: FPM  
Body seal: FPM  
Internal parts: Brass, Stainless steel  
Spindle sealing: PTFE / FPM, self-adjustable

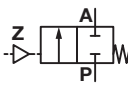
#### Material:

#### Pilot fluid characteristics:

Body: Stainless steel (1.4408)  
Bottom: Alu WEMA-Kor, coated  
Seat seals: NBR  
Internal parts: Coated steel

For contaminated fluids insertion of a strainer is recommended.

### Technical data - standard models

Symbol	Port size	Orifice (mm)	Flow kv value *1) (m <sup>3</sup> /h)	Operating pressure *2) (bar)	Weight (kg) *3)	Model *3)
	G1/2	15	4,8	0 ... 10	1,4	8258200.0000.xxxxx
	G3/4	20	10	0 ... 10	1,5	8258300.0000.xxxxx
	G1	25	14	0 ... 10	1,8	8258400.0000.xxxxx
	G1 1/4	32	23	0 ... 10	2,4	8258500.0000.xxxxx
	G1 1/2	40	30	0 ... 10	2,7	8258600.0000.xxxxx
	G2	50	37	0 ... 7	3,9	8258700.0000.xxxxx

xxxxx Please insert voltage and frequency codes

\*1) Cv-value (US) ≈ kv value x 1,2

\*2) For gases and liquid fluids up to 400 mm<sup>2</sup>/s (cSt)

\*3) 0000 = without pilot valve  
0247 = with pilot valve for V d.c.  
0247 = with pilot valve for V a.c.

## Option selector

8258\*\*\*\*\*.\*\*\*\*\*.\*\*\*\*\*

Port size	Substitute
1/2	2
3/4	3
1	4
1 1/4	5
1 1/2	6
2	7
Valve options	Substitute
Degreased version, housing blue painted	50
Optical position indicator	53

Frequency	Substitute
See table frequency codes	xx
Voltage	Substitute
See table Voltage codes	xxx
Solenoid options	Substitute
Without pilot valve	0000
With pilot valve for V d.c. Please insert voltage code	0247
With pilot valve for V a.c. Please insert voltage and frequency codes	0247

**Note:**

This valve type is safety shut off valve and not available in the function „normally open“.

## Standard solenoid systems

Voltage and Frequency Solenoid 0247					
Code Voltage	Code Frequency	Voltage	Frequency	Power consumption	
				Inrush	Holding
024	00	24 V d.c.	-	8 W	8 W
024	50	24 V a.c.	50 Hz	15 VA	12 VA
110	50	110 V a.c.	50 Hz	15 VA	12 VA
120	60	120 V a.c.	60 Hz	15 VA	12 VA
230	50	230 V a.c.	50 Hz	15 VA	12 VA

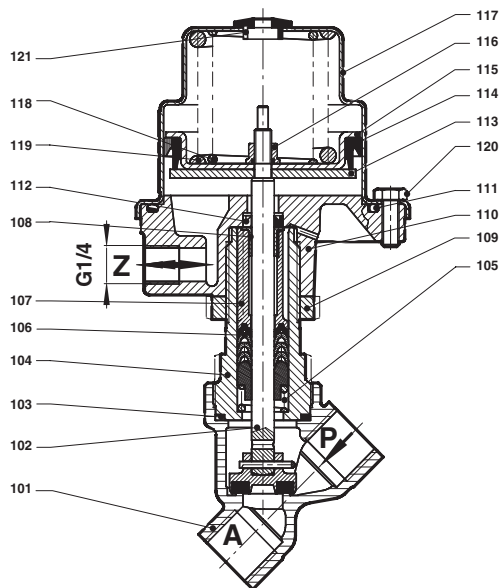
Notes  
for 3/2-way pilot valve

<b>Material</b>	Body Brass
<b>Pilot fluid temperature</b>	-10 ... +80°C (+14 ... 176°F)
<b>Pilot pressure</b>	5 ... 8 bar (72,5 ... 116 psi)
<b>Standard voltages</b>	24 V d.c., 24 V a.c., 230 V a.c.

Electrical Data  
for 3/2-way pilot valve

<b>Design acc. to</b>	DIN VDE 0580
<b>Voltage range</b>	±10%
<b>Duty cycle</b>	100% ED
<b>Protection class</b>	EN 60529 IP65 with mounted socket
<b>Socket</b>	Form A acc. to DIN EN 175301-803 (included)
<b>Technical data</b>	Please contact a member of our sales team, to check the model number. (Fon +49 5731/791-0)

Further versions on request!

**Section View**
**G1/2 ... 2**
**1/2 ... 2 NPT**


No.	Description
101	Valve body
102	Valve spindle, complete
103	Gasket
104	Screw piece
105	Pressure spring
106	Spindle sealing
107	Spacer sleeve
108	Sleeve bearing
109	Nut
110	Bottom of control head housing
111	O-ring
112	Lip seal
113	Round plate
114	Lip seal
115	Round plate
116	Seal-Lock nut
117	Control head housing
118	Pressure spring
119	Pressure spring G1 and G2 only
120	Hexagon screw
121	Screw tap

**Information concerning expendable parts:**

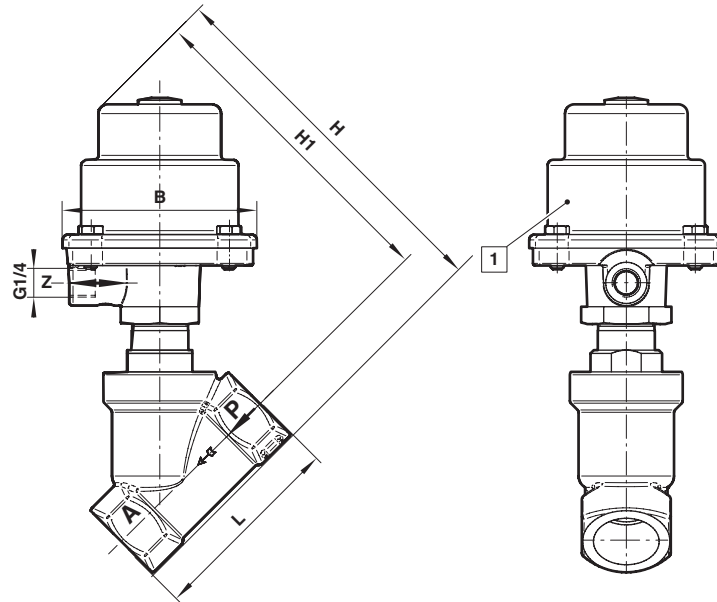
The valves have been prototype tested.

Expendable parts can only be replaced by the manufacturer.

**Dimensions**

G1/2 ... 2  
1/2 ... 2 NPT

Dimensions in mm  
Projection/First angle



1 Actuator rotatable 360°

Port size	B	H	H1	L	Model
G1/2	89,5	154	140,5	65	8258200.0000.00000
G3/4	89,5	160	144	75	8258300.0000.00000
G1	89,5	171	150,5	90	8258400.0000.00000
G1 1/4	89,5	186	161	110	8258500.0000.00000
G1 1/2	89,5	190	162,5	120	8258600.0000.00000
G2	89,5	206	171	150	8258700.0000.00000

**Note to Pressure Equipment Directive (PED):**

The valves of this series, including the connection size DN 25 (G 1), are according to clause 4 § 3 of the Pressure Equipment Directive (PED) 2014/68/EU. This means interpretation and production are in accordance to engineers practice wellknown in the member countries.

The available CE labelling relates to the (Gas appliances) Regulation (EU) 2016/426. A copy of the EC prototype test certificate is provided with the product.

**Note to Electromagnetic Compatibility Guideline (EEC):**

The valves shall be provided with an electrical circuit which ensures the limits of the harmonised standards EN 61000-6-3 and EN 61000-6-1 are observed, and hence the requirements of the Electromagnetic Compatibility Guideline (2014/30/EU) satisfied.