

- > **Port size: DN 15 ... 50, G1/2 ... 2, (ISO G/NPT)**
- > **High flow rate**
- > **Suitable for contaminated process fluid**
- > **Damped closing (Valves closes against flow direction)**
- > **For robust industry applications**
- > **Suitable for vacuum up to max. 90%**
- > **Option pressure actuated by external liquid fluid**



Technical features

Medium:

Neutral gases and liquids

Pilot fluid:

Neutral gases max. +80°C (+176°F)

Switching function:

Normally closed

Operation:

Pressure actuated by external fluid

Mounting position:

Optional

Flow direction:

Determined

Port size:

G1/2, G3/4, G1, G1 1/4, G1 1/2, G2 1/2 NPT, 3/4 NPT, 1 NPT, 1 1/4 NPT, 1 1/2 NPT, 2 NPT

Pilot connection:

G1/4 res. 1/4 NPT

Operating pressure:

See table

Pilot pressure:

3,5 ... 8 bar (51 ... 116 psi)

Fluid temperature:

-10° ... +180°C (+14° ... +356°F)

Ambient temperature:

-10° ... +60°C (+14° ... +140°F)

Material:

Process fluid characteristics:

Body: Dezincification Brass (CW617N)

Seat seal: PTFE

Internal parts: Brass,

Stainless steel,

Spindle sealing: PTFE / FPM,

self-adjustable

Pilot fluid characteristics:

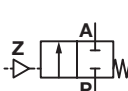
Body: Stainless steel, Aluminium

Bottom: WEMA-Kor, coated

Seals: NBR

Internal parts: Coated steel

Technical data - standard models

Symbol	Port size	Orifice (mm)	Actuator ø (mm)	Flow kv value *1) (m³/h)	Operating pressure *2) (bar)	Weight (kg) *3)	Model *3)
	G1/2	15	70	4,8	0 ... 16	1,4	8218200.0000.00000
	1/2 NPT	15	70	4,8	0 ... 16	1,4	8219200.0000.00000
	G3/4	20	70	10	0 ... 10	1,5	8218300.0000.00000
	3/4 NPT	20	70	10	0 ... 10	1,5	8219300.0000.00000
	G1	25	70	14	0 ... 10	1,8	8218400.0000.00000
	1 NPT	25	70	14	0 ... 10	1,8	8219400.0000.00000
	G1 1/4	32	70	23	0 ... 7	2,4	8218500.0000.00000
	1 1/4 NPT	32	70	23	0 ... 7	2,4	8219500.0000.00000
	G1 1/2	40	70	30	0 ... 4,5	2,7	8218600.0000.00000
	1 1/2 NPT	40	70	30	0 ... 4,5	2,7	8219600.0000.00000
	G2	50	70	37	0 ... 3	3,9	8218700.0000.00000
	2 NPT	50	70	37	0 ... 3	3,9	8219700.0000.00000
	G1/2	15	125	4,8	0 ... 25	4,3	8228200.0000.00000
	1/2 NPT	15	125	4,8	0 ... 25	4,3	8229200.0000.00000
	G3/4	20	125	10	0 ... 25	4,3	8228300.0000.00000
	3/4 NPT	20	125	10	0 ... 25	4,3	8229300.0000.00000
	G1	25	125	14	0 ... 25	4,6	8228400.0000.00000
	1 NPT	25	125	14	0 ... 25	4,6	8229400.0000.00000
	G1 1/4	32	125	27	0 ... 16	5,3	8228500.0000.00000
	1 1/4 NPT	32	125	27	0 ... 16	5,3	8229500.0000.00000
G1 1/2	40	125	37	0 ... 10	5,5	8228600.0000.00000	
1 1/2 NPT	40	125	37	0 ... 10	5,5	8229600.0000.00000	
G2	50	125	53	0 ... 10	7,7	8228700.0000.00000	
2 NPT	50	125	53	0 ... 10	7,7	8229700.0000.00000	

*1) Cv-value (US) ≈ kv value x 1,2

*2) For gases and liquid fluids up to 600 mm²/s (cSt)

*3) Without pilot valve

Option selector

82*****.0000.00000

Actuator	Substitute
ø 70	1
ø 125	2
Thread form	Substitute
ISO G	8
NPT	9
Port size	Substitute
1/2"	2
3/4"	3
1"	4
1 1/4"	5
1 1/2"	6
2"	7

Valve options	Substitute
Normally open (NO), closes with pilot pressure and opens with spring force (pilot pressure 2 ... 6 bar)	01
Seals FPM Temperature max. +180°C	03
Operating pressure G1/2 0... 25 bar G3/4 0 ... 16 bar	22
Electrical position indicator with 2 limit switches Sol switch: protection class IP 67, LED, 2 m cable LifYY 2 x 0,25 qmm Type: NAMUR DIN EN 60947-5-6	40
Electrical position indicator with 2 limit switches Sol switch: 10 ... 30 V DC, 3-wire, NOC, PNP, short-circuit proof, protection class IP 67, LED yellow, 2 m cable PVC 3 x 0,25 qmm	41
Optical position indicator	52
Fluid temperature max. 200°C	59

Notes

for 3/2-way pilot valve 84660 / 84680

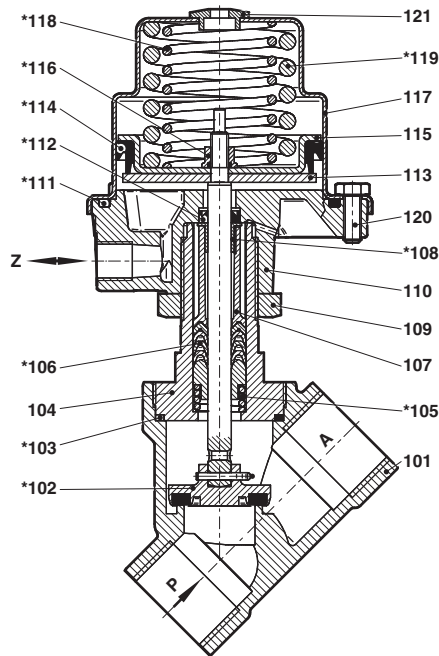
Material	Body Aluminium
Pilot fluid temperature	max. +60°C
Pilot pressure	1 ... 10 bar
Standard voltages	24 V d.c., 24 V a.c., 230 V a.c.

Electrical Data

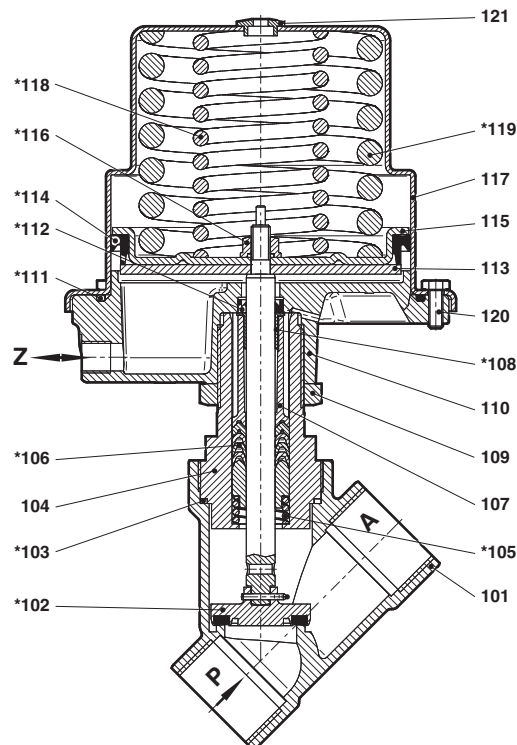
for 3/2-way pilot valve 84660 / 84680

Design acc. to	DIN VDE 0580
Voltage range	±10%
Duty cycle	100% ED
Protection class	EN 60529 IP65 with mounted socket
Socket	Form A acc. to DIN EN 175301-803 (included)
Technical data	See publication N/en 5.8.640

Further versions on request!

Section View
G1/2 ... 2
1/2 ... 2 NPT
Actuator ø 70 mm


No.	Description
101	Valve body
*102	Valve spindle, complete
*103	Seal ring
104	Screw piece
*105	Pressure spring
*106	Seal packing
107	Spacer bush
*108	Plain bearing
109	Nut
110	Control head housing cover, bottom part
*111	O-ring
*112	FPM-Grooved ring
113	Round plate
*114	Grooved ring
115	Round plate
*116	Seal-lock-nut
117	Control head housing
*118	Pressure spring only with G1 und G2
*119	Pressure spring
120	Hexagon screw
121	Plug

Section View
G1 1/4 ... 2
1 1/4 ... 2 NPT
Actuator ø 125 mm


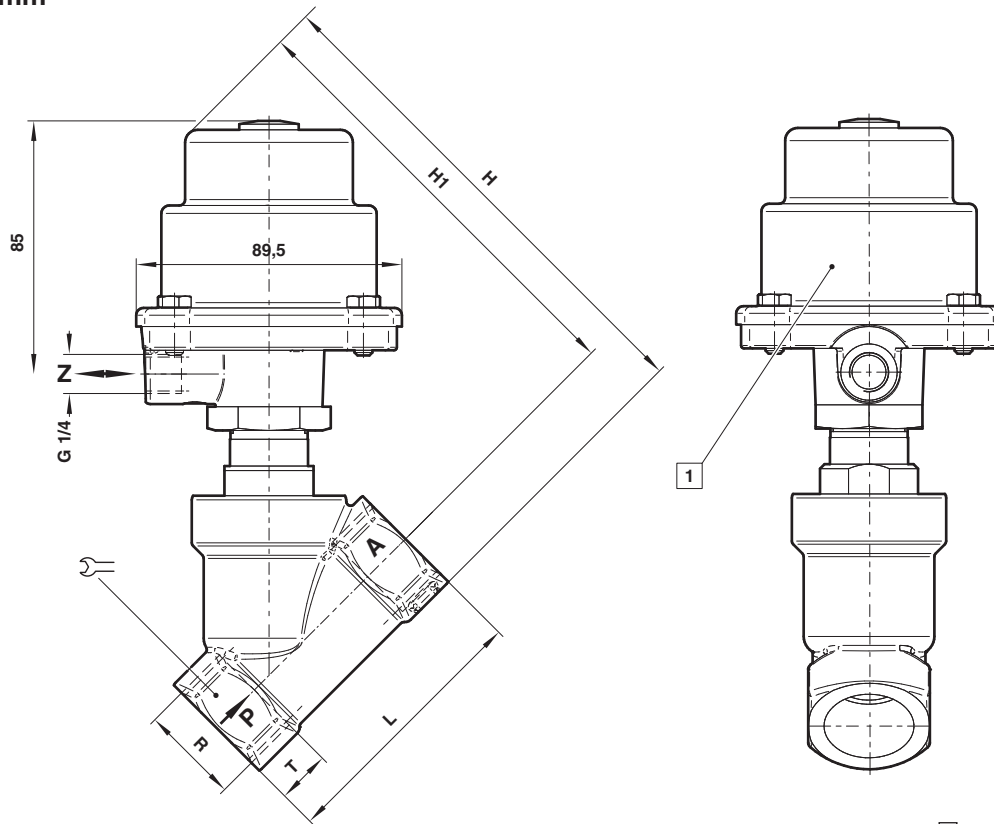
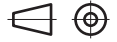
No.	Description
101	Valve body
*102	Valve spindle, complete
*103	Seal ring
104	Screw piece
*105	Pressure spring
*106	Seal packing
107	Spacer bush
*108	Plain bearing
109	Nut
110	Control head housing cover, bottom part
*111	O-ring
*112	FPM-Grooved ring
113	Round plate
*114	Grooved ring
115	Round plate
*116	Seal-lock-nut
117	Control head housing
*118	Pressure spring only with G1 und G2
*119	Pressure spring
120	Hexagon screw
121	Plug

* These individual parts form a complete wearing unit.
 When ordering spare parts please state Model No. and Series No.


Dimensions

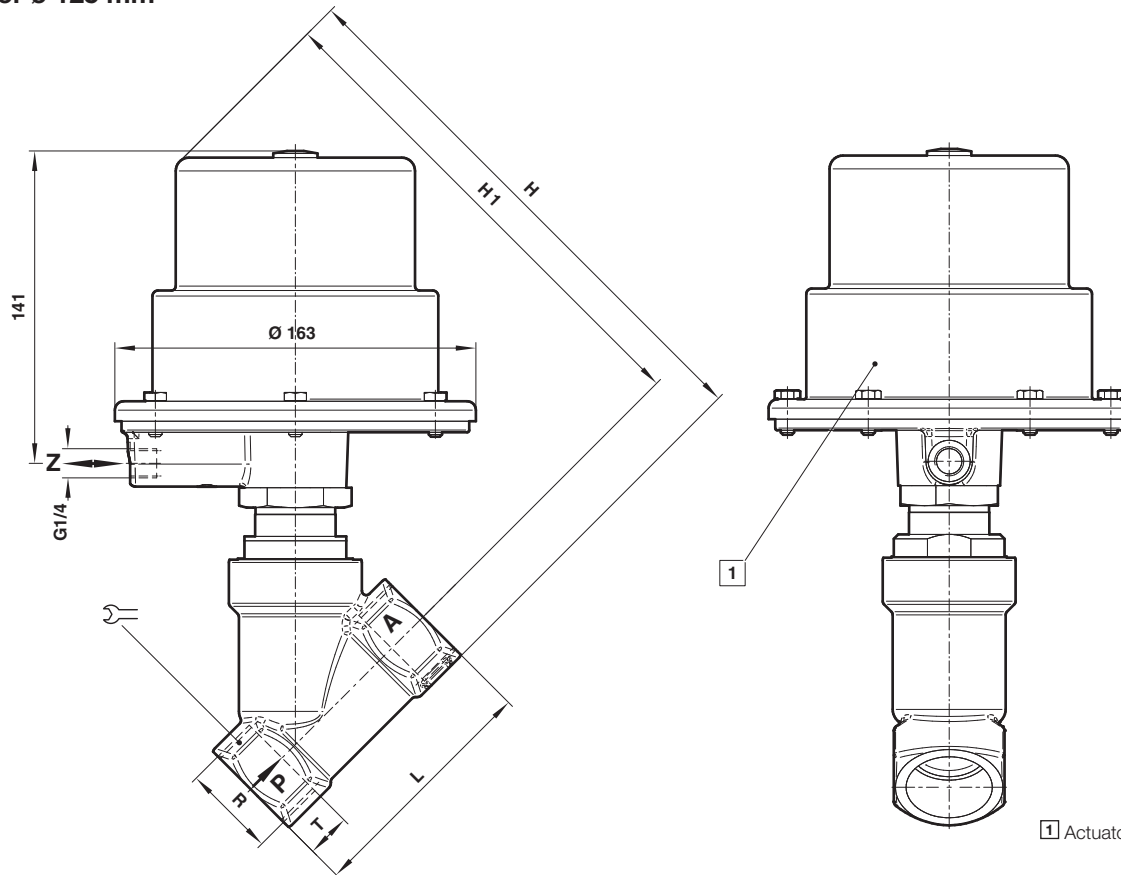
G1/2 ... 2
1/2 ... 2 NPT
Actuator ø 70 mm


Dimensions in mm
Projection/First angle



1 Actuator may be rotated 360°

Port size	Actuator ø	H	H1	L	T		Model
G1/2	70	152	139	65	14	27	8218200.0000.00000
1/2 NPT	70	152	139	65	13,6	27	8219200.0000.00000
G3/4	70	160	143	75	16	32	8218300.0000.00000
3/4 NPT	70	160	143	75	14,1	32	8219300.0000.00000
G1	70	169	148	90	18	41	8218400.0000.00000
1 NPT	70	169	148	90	16,8	41	8219400.0000.00000
G1 1/4	70	183	159	110	20	50	8218500.0000.00000
1 1/4 NPT	70	183	159	110	17,3	50	8219500.0000.00000
G1 1/2	70	189	160	120	22	55	8218600.0000.00000
1 1/2 NPT	70	189	160	120	17,3	55	8219600.0000.00000
G2	70	201	167	150	24	70	8218700.0000.00000
2 NPT	70	201	167	150	17,8	70	8219700.0000.00000

Dimensions
G1 1/4 ... 2
1 1/4 ... 2 NPT
Actuator ø 125 mm

1 Actuator may be rotated 360°

Port size	Actuator ø	H	H1	L	T		Model
G1/2	125	230	217	65	14	27	8228200.0000.00000
1/2 NPT	125	230	217	65	13,6	27	8229200.0000.00000
G3/4	125	236	220	75	16	32	8228300.0000.00000
3/4 NPT	125	236	220	75	14,1	32	8229300.0000.00000
G1	125	245	224	90	18	41	8228400.0000.00000
1 NPT	125	245	224	90	16,8	41	8229400.0000.00000
G1 1/4	125	247	222	110	20	50	8228500.0000.00000
1 1/4 NPT	125	247	222	110	17,3	50	8229500.0000.00000
G1 1/2	125	252	224	120	22	55	8228600.0000.00000
1 1/2 NPT	125	252	224	120	17,3	55	8229600.0000.00000
G2	125	265	231	150	24	70	8228700.0000.00000
2 NPT	125	265	231	150	17,8	70	8229700.0000.00000

Note to Pressure Equipment Directive (PED):

The valves of this series, including the connection size DN 25 (G 1), are according to Art. 4 § 3 of the Pressure Equipment Directive (PED) 2014/68/EU. This means interpretation and production are in accordance to engineers practice wellknown in the member countries. The CE-sign at the valve refers not to the PED. Thus the declaration of conformity is not longer applicable for this directive.

For valves > DN 25 (G 1) Art. 3 § (1) No.1.4 applies:

The basic requirements of the Enclosure I of the PED must be fulfilled. The CE-sign at the valve includes the PED. A certificate of conformity of this directive will be available on request.

Note to Electromagnetic Compatibility Guideline (EEC):

The valves shall be provided with an electrical circuit which ensures the limits of the harmonised standards EN 61000-6-3 and EN 61000-6-1 are observed, and hence the requirements of the Electromagnetic Compatibility Guideline (2014/30/EU) satisfield.